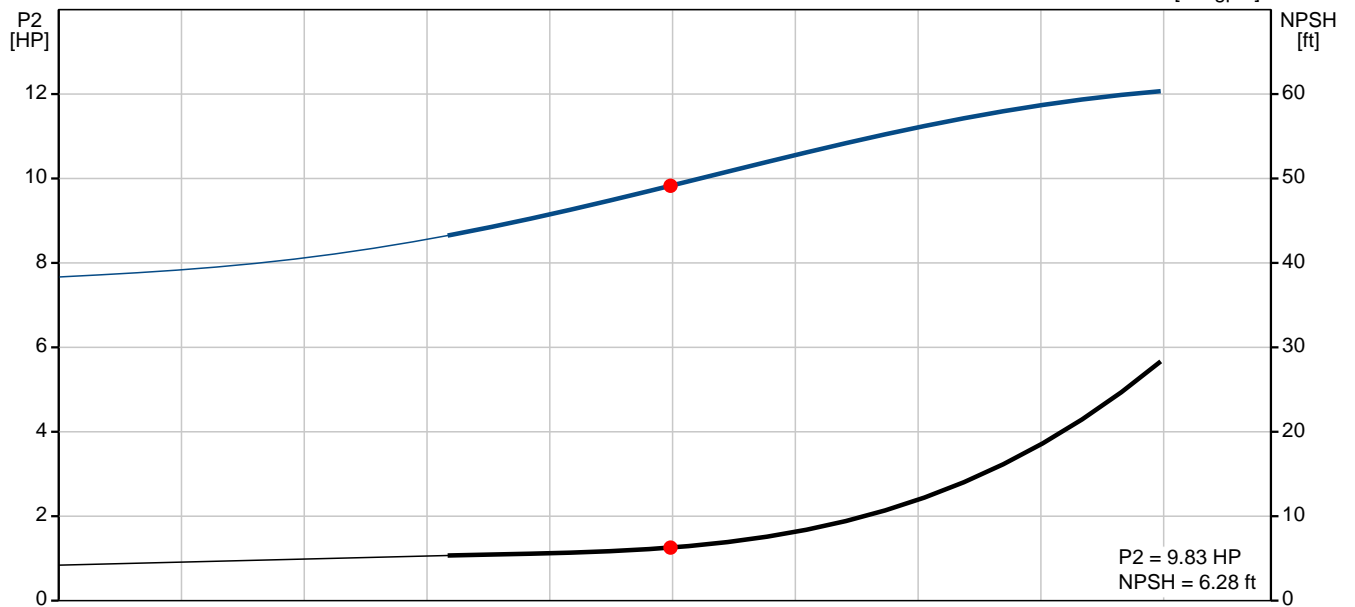
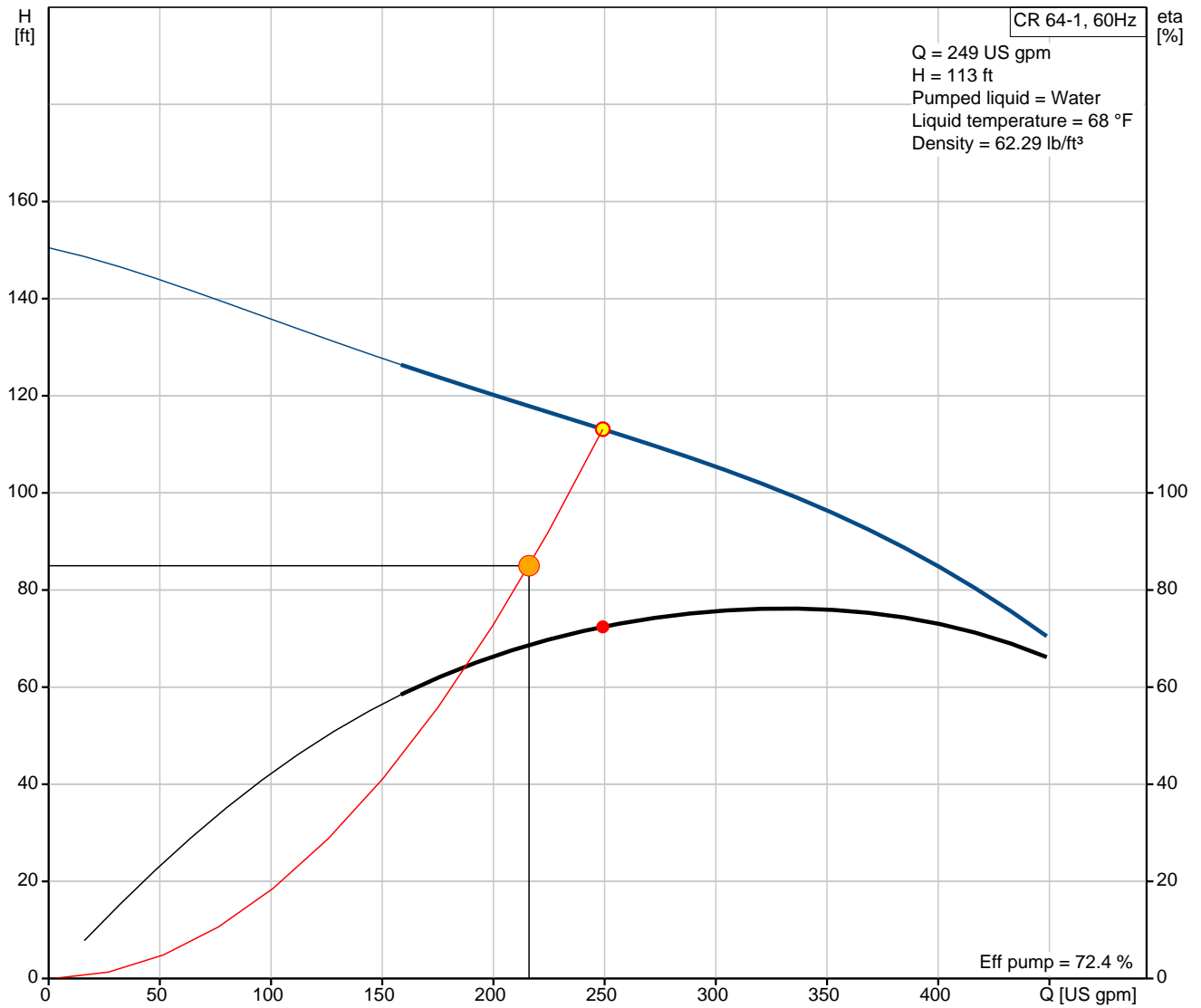
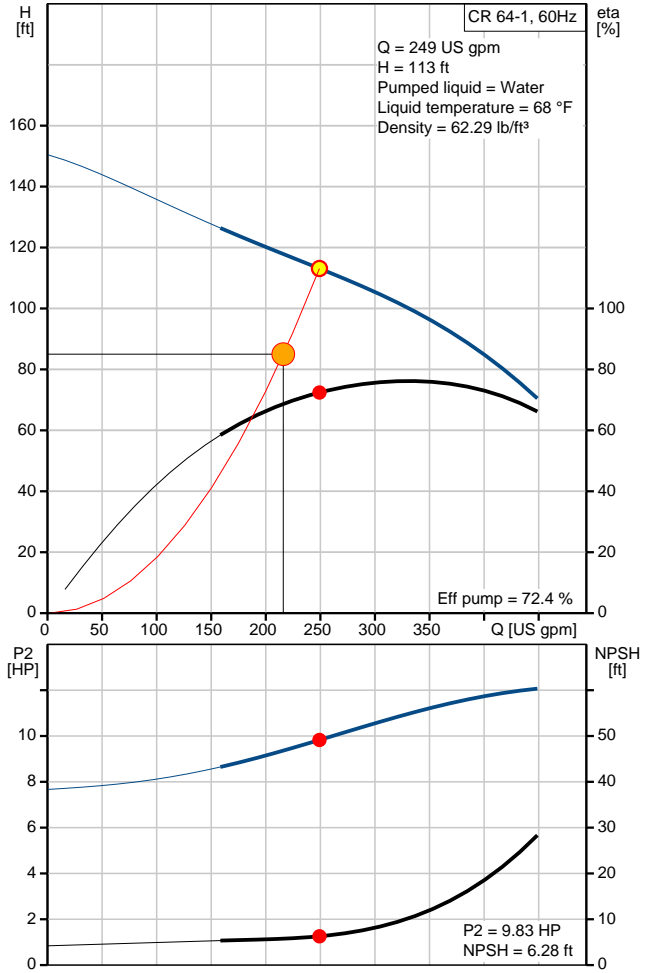


96418914 CR 64-1 60 Hz

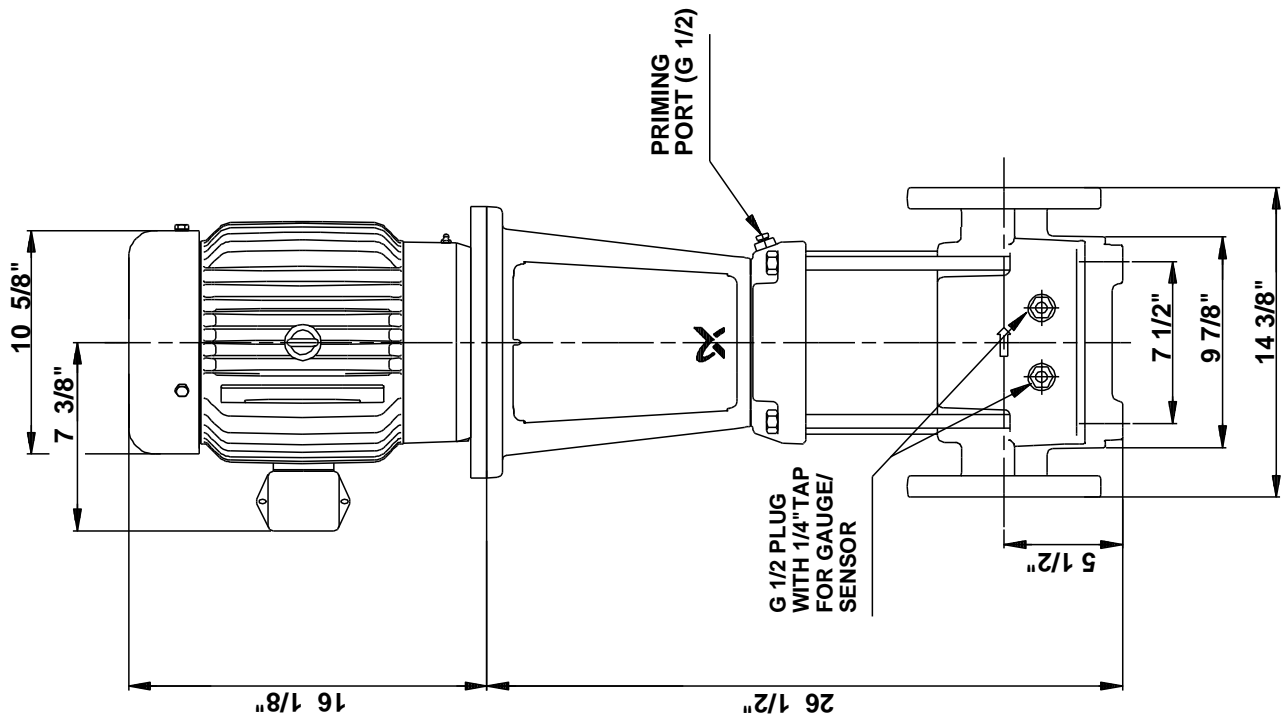
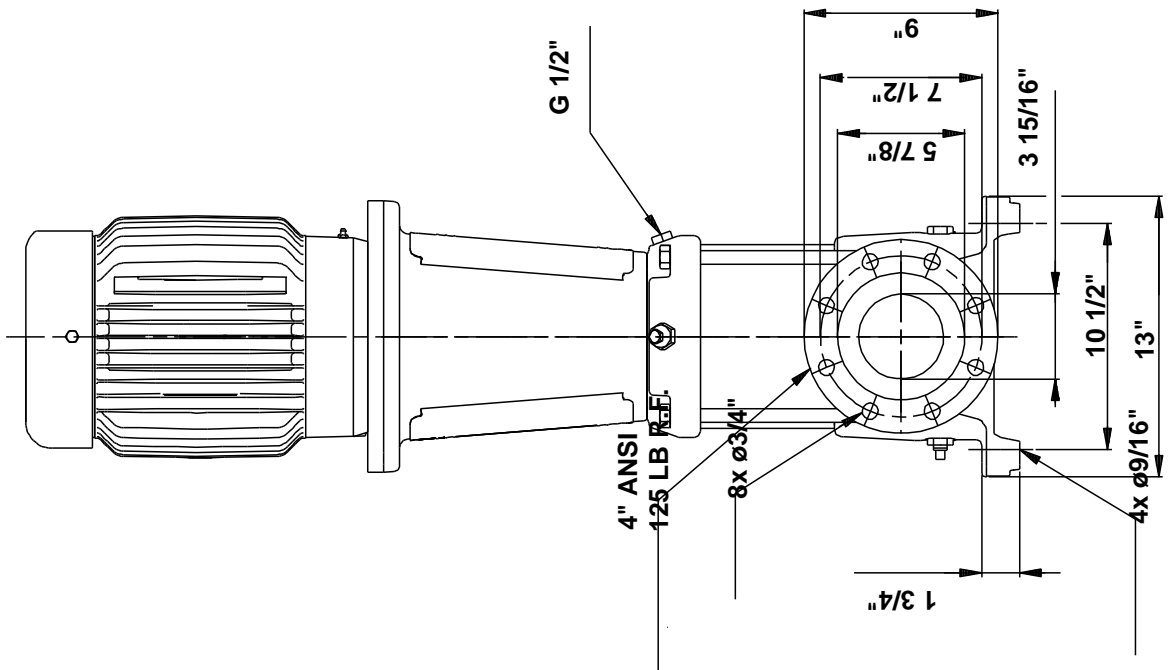


Description	Value
General information:	
Product name:	CR 64-1 A-G-A-V-HQQV
Position	
Product No.:	96418914
EAN:	5700390739485
Price:	On request
Technical:	
Speed for pump data:	3444 rpm
Actual calculated flow:	249 US gpm
Resulting head of the pump:	113 ft
Head max:	154 ft
Impellers:	1
Shaft seal:	HQQV
Approvals on motor nameplate:	UL Recognized Component, CSA
Curve tolerance:	ISO 9906:1999 Annex A
Stages:	1
Pump version:	A
Model:	B
Cooling:	ODP
Materials:	
Pump housing:	Cast iron EN-JS1050
	ASTM 80-55-06
Impeller:	Stainless steel DIN W.-Nr. 1.4301 AISI 304
Material code:	A
Code for rubber:	V
Installation:	
Maximum ambient temperature:	104 °F
Max pressure at stated temperature:	232 psi / 194 °F
Flange standard:	ANSI
Connect code:	G
Pipe connection:	4"
Pressure stage:	125 Lb.
Flange size for motor:	254TC
Liquid:	
Pumped liquid:	Water
Liquid temperature range:	-4 .. 194 °F
Liquid temp:	68 °F
Density:	62.29 lb/ft ³
Kinematic viscosity:	1 cSt
Electrical data:	
Motor type:	BALDOR
Rated power - P2:	15 HP
KVA code:	G
Main frequency:	60 Hz
Rated voltage:	3 x 208-230/460 V
Service factor:	1,15
Rated current:	38-36/18 A
Starting current:	289.7-262/131 A
Load current:	43.8-41.8/20.9 A
Cos phi - power factor:	0,92
Rated speed:	3450 rpm
Insulation class (IEC 85):	F
Motor protection:	None
Motor Number:	84Z05097
Others:	



Description	Value
Net weight:	289 lb
Gross weight:	307 lb
Shipping volume:	12.7 ft ³
Sales region:	Namreg

96418914 CR 64-1 60 Hz



Note! All units are in [mm] unless otherwise stated.
 Disclaimer: This simplified dimensional drawing does not show all details.