
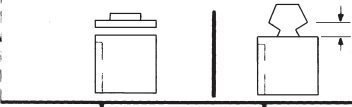


HOW TO USE YOUR RAYPAK ILLUSTRATED PARTS LIST

The Model Number, of a Raypak boiler, is found on the Rating Plate for the Boiler. Each Model number identifies the application, the construction and the function of the boiler and provides a positive means of providing information, both installation and service, and parts in a minimum amount of time. The example, shown below, should be used as a guide to identifying your boiler.

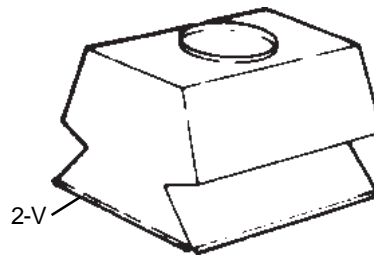
Model No: H3 - 1631

 <p>NATL. BD. 175968 CERTIFIED BY RAYPAK, INC. OXNARD, CALIFORNIA MAX W.P. WATER 160 PSI BTU/HR INPUT 1,630,000 MFR SERIAL NO 0010175968 MIN RELIEF VALVE CAP 1,337 LBS/HR HEATING SURFACE 129 SQ FT MAX WATER TEMP 250 °F</p>	<p style="text-align: center;">HOT WATER BOILER FOR INDOOR INSTALLATION ONLY</p> <p>MIN. CLEARANCES FROM COMBUSTIBLE CONSTRUCTION</p> <table style="width: 100%;"> <tr><td>RIGHT SIDE</td><td>24"</td></tr> <tr><td>LEFT SIDE</td><td>24"</td></tr> <tr><td>BACK</td><td>24"</td></tr> <tr><td>TOP</td><td>24"</td></tr> </table> <p>FOR SERVICING, PROVIDE AT LEAST 24" OF UNOBSTRUCTED CLEARANCE IN FRONT OF UNIT</p> <p>THIS BOILER SHALL BE INSTALLED IN A SPACE LARGE IN COMPARISON TO THE SIZE OF THE BOILER</p>	RIGHT SIDE	24"	LEFT SIDE	24"	BACK	24"	TOP	24"	<p>FOR INSTALLATION ON NON-COMBUSTIBLE FLOORS ONLY* * FOR INSTALLATION ON COMBUSTIBLE FLOORING ONLY WHEN INSTALLED ON SPECIAL BASE PART NUMBER</p> <table style="width: 100%; border-collapse: collapse;"> <tr> <td style="border: 1px solid black;">MODEL</td> <td style="border: 1px solid black;">PART NO</td> <td style="border: 1px solid black;">MODEL</td> <td style="border: 1px solid black;">PART NO</td> </tr> <tr> <td style="border: 1px solid black;">982</td> <td style="border: 1px solid black;">059233</td> <td style="border: 1px solid black;">1468</td> <td style="border: 1px solid black;">059237</td> </tr> <tr> <td style="border: 1px solid black;">1125</td> <td style="border: 1px solid black;">059234</td> <td style="border: 1px solid black;">1631</td> <td style="border: 1px solid black;">059238</td> </tr> <tr> <td style="border: 1px solid black;">1223</td> <td style="border: 1px solid black;">059235</td> <td style="border: 1px solid black;">1826</td> <td style="border: 1px solid black;">059239</td> </tr> <tr> <td style="border: 1px solid black;">1336</td> <td style="border: 1px solid black;">059236</td> <td></td> <td></td> </tr> </table> <p>ALL OPENINGS MUST REMAIN UNOBSTRUCTED BLOCKING OPENINGS WILL DAMAGE UNIT</p> <div style="text-align: center;">  </div> <table style="width: 100%; border-collapse: collapse;"> <tr> <td style="border: 1px solid black;">MODEL</td> <td style="border: 1px solid black;">OUTDOOR KIT#</td> <td style="border: 1px solid black;">INDOOR KIT#</td> </tr> <tr> <td style="border: 1px solid black;"> </td> <td style="border: 1px solid black;"> </td> <td style="border: 1px solid black;"> </td> </tr> </table>	MODEL	PART NO	MODEL	PART NO	982	059233	1468	059237	1125	059234	1631	059238	1223	059235	1826	059239	1336	059236			MODEL	OUTDOOR KIT#	INDOOR KIT#			
RIGHT SIDE	24"																																			
LEFT SIDE	24"																																			
BACK	24"																																			
TOP	24"																																			
MODEL	PART NO	MODEL	PART NO																																	
982	059233	1468	059237																																	
1125	059234	1631	059238																																	
1223	059235	1826	059239																																	
1336	059236																																			
MODEL	OUTDOOR KIT#	INDOOR KIT#																																		
<p>BTU/HR OUTPUT 1,336,600 BTU/HR INPUT 1,630,000 MIN INPUT RATE 0 BTU/HR GAS NAT MODEL NO H3-1631 CATEGORY 1 BOILER</p> <p style="text-align: center;">ACCEPTED FOR USE CITY OF NEW YORK DEPARTMENT OF BUILDINGS MEAF# 407-88-E VOL II</p> <p>ANS Z21 13b-1994 LOW PRESSURE BOILER</p> <p>p/n 900808</p>	<table style="width: 100%; border-collapse: collapse;"> <tr> <td style="border: 1px solid black;">MAX. PERMISSIBLE GAS SUPPLY PRESSURE</td> <td style="border: 1px solid black;">NAT 14"W.C</td> <td style="border: 1px solid black;">LPG 14"W.C</td> </tr> <tr> <td style="border: 1px solid black;">MIN. PERMISSIBLE GAS SUPPLY PRESSURE FOR PURPOSE OF INPUT ADJUSTMENT</td> <td style="border: 1px solid black;">7"W.C</td> <td style="border: 1px solid black;">12"W.C</td> </tr> <tr> <td style="border: 1px solid black;">MANIFOLD PRESSURE</td> <td style="border: 1px solid black;">4"W.C</td> <td style="border: 1px solid black;">11"W.C</td> </tr> <tr> <td colspan="3" style="border: 1px solid black; text-align: center;">ELECTRICAL RATING 120/24V 60 HZ. LESS THAN 12 AMPERES</td> </tr> <tr> <td colspan="3" style="border: 1px solid black; text-align: center;">WHEN USED WITH POWER VENT TERMINAL NO. 005733 ELECTRICAL RATING WILL BE LESS THAN 20 AMPS. 120 VAC. 60 HZ</td> </tr> </table>	MAX. PERMISSIBLE GAS SUPPLY PRESSURE	NAT 14"W.C	LPG 14"W.C	MIN. PERMISSIBLE GAS SUPPLY PRESSURE FOR PURPOSE OF INPUT ADJUSTMENT	7"W.C	12"W.C	MANIFOLD PRESSURE	4"W.C	11"W.C	ELECTRICAL RATING 120/24V 60 HZ. LESS THAN 12 AMPERES			WHEN USED WITH POWER VENT TERMINAL NO. 005733 ELECTRICAL RATING WILL BE LESS THAN 20 AMPS. 120 VAC. 60 HZ																						
MAX. PERMISSIBLE GAS SUPPLY PRESSURE	NAT 14"W.C	LPG 14"W.C																																		
MIN. PERMISSIBLE GAS SUPPLY PRESSURE FOR PURPOSE OF INPUT ADJUSTMENT	7"W.C	12"W.C																																		
MANIFOLD PRESSURE	4"W.C	11"W.C																																		
ELECTRICAL RATING 120/24V 60 HZ. LESS THAN 12 AMPERES																																				
WHEN USED WITH POWER VENT TERMINAL NO. 005733 ELECTRICAL RATING WILL BE LESS THAN 20 AMPS. 120 VAC. 60 HZ																																				

Raytherm Type Designations

CURRENT TYPE DESIGNATION	FIRING MODE	OLD TYPE DESIGNATION	MODELS	CURRENT TYPE TEMPERATURE RANGE
H1	MECH MOD	T	133-1826	150-210
H2	MOTOR MOD	TA	514-4001	160-260
H3	TWO-STAGE	TB	181-4001	130-230
H4	ON/OFF	TC	181-4001	100-240
H5	LOW TEMP MOD	TD	400-1826	110-170
H6	MOTOR MOD	TX WITH B-3	514-4001	B6000*
H9	FOUR-STAGE	NEW	514-4001	-40-220
WH1	ON/OFF	WT, W1	133-4001	100-200
WH2	MECH MOD	THWS, W2	133-1826	110-170
WH2	MOTOR MOD	THWS, W2	2100-4001	104-220
WH3	TWO-STAGE	W3	181-4001	130-230
NH - Obsolete	MECH MOD (INSTANTANEOUS)	TIP OR THWS WITH TIP AT END OF S/N	514-1826	110-170
RH - Obsolete	MECH MOD	TIPR OR THWS WITH TIPR AT END OF S/N	514-1125	150-210
WH	ON/OFF - ECONOPAK	N/A	90-403	105-205
P	ON/OFF - POOL	WG	514-4001	40-105

Now find the part you need in the exploded view drawing. After you find the part you will notice a number and letter next to the part. See Drawing below. This is referred to as a "Call Out".



The number serves as a "Finder" number and has no specific part classification.

The letter serves as a "Part Class" identification number. The letters stand for specific groups of parts - see Example below.

- | | |
|-------------------------|-------------------|
| B - BURNER TRAY | M - MISCELLANEOUS |
| C - CONTROLS | P - PILOT |
| G - GASVALVES | R - REFRACTORY |
| H - HEAT EXCHANGER | S - SHEET METAL |
| J - J-BOX (CONTROL BOX) | V - VENTING |

To find the Raypak Part Number, refer to the parts list located on the page opposite to the exploded view drawing.

Now take the call-out you found in the exploded view and match it to the call-out in the left hand column. You will notice the parts are to groups. These are grouped into "Part Classes". See Example below.

Call-Out Column

CALL OUT	DESCRIPTION	185	265	335	405
H	HEAT EXCHANGER				
1-H	Heat Exchange Assy. Cast Iron (Complete)	005244F	005245F	005246F	005247F
	Heat Exchange Assy. Brass (Complete)	005248F	005249F	005250F	005251F
2-H	Inlet/Outlet Header CI	003759F	003759F	003759F	003759F
	Inlet/Outlet Header BR	003760F	003760F	003760F	003760F
3-H	Return Header CI	002450F	002450F	002450F	002450F
	Return Header BR	002451F	002451F	002451F	002451F
4-H	Tube Bundle	005252F	005253F	005254F	005255F
5-H	Heat Exchanger Tube (1)	005256F	005257F	005258F	005259F
6-H	Baffle Kit (8)	005260F	005261F	005262F	005263F
7-H	Bolt Kit	001303F	001303F	001303F	001303F
8-H	Header Gasket (9)	800014B	800014B	800014B	800014B
9-H	Unitherm Governor	062234B	062234B	062234B	062234B
10-H	U.G. Retainer Spring	850254	850254	850254	850254
11-H	Bypass Valve	062235B	062235B	062235B	062235B
12-H	Bypass Spring	850252	850253	850253	850253
13-H	Drain Valve	500719	500719	500719	500719
14-H	Sensor Well	003765F	003765F	003765F	003765F
15-H	Well Retaining Clip	300203	300203	300203	300203
16-H	Inlet & Outlet Flange	003766F	003766F	003766F	003766F
17-H	Flange Gasket 1 1/2" Connections	062236B	062236B	062236B	062236B
	Flange Gasket 2" Connections	800080B	800080B	800080B	800080B
18-H	Rear Drain Plug & Cover	005264F	005264F	005264F	005264F

H Class

You will also notice that some of the call-out's are indented. The indentations represent parts that are included in the assemblies listed directly above the indentation. You can order the complete assembly or the indented parts separately. If the part or assembly does not offer separate parts there will be no indentations.

- | | | |
|----------------------------|------|--------------------------|
| Assembly | 6-B | Burner Tray w/Burners |
| | 7-B | Manifold - Lower |
| Parts included in Assembly | 8-B | Manifold - Upper |
| | 9-B | Burner Hold Down Bracket |
| | 10-B | Burner Spacer |



COMMERCIAL and POOL
MODELS: 992B THRU 2342B

CATALOG NO. 9300.762
Effective: 01-15-15
Replaces: 11-30-12

RAYPAK ILLUSTRATED PARTS LIST

MODEL SIZES: 992B, 1262B, 1532B, 1802B, 2002B, 2072B & 2342B

MODEL TYPES: HI DELTA H, W, WH & P

DATES OF MANUFACTURE: 01-01-07 THROUGH CURRENT

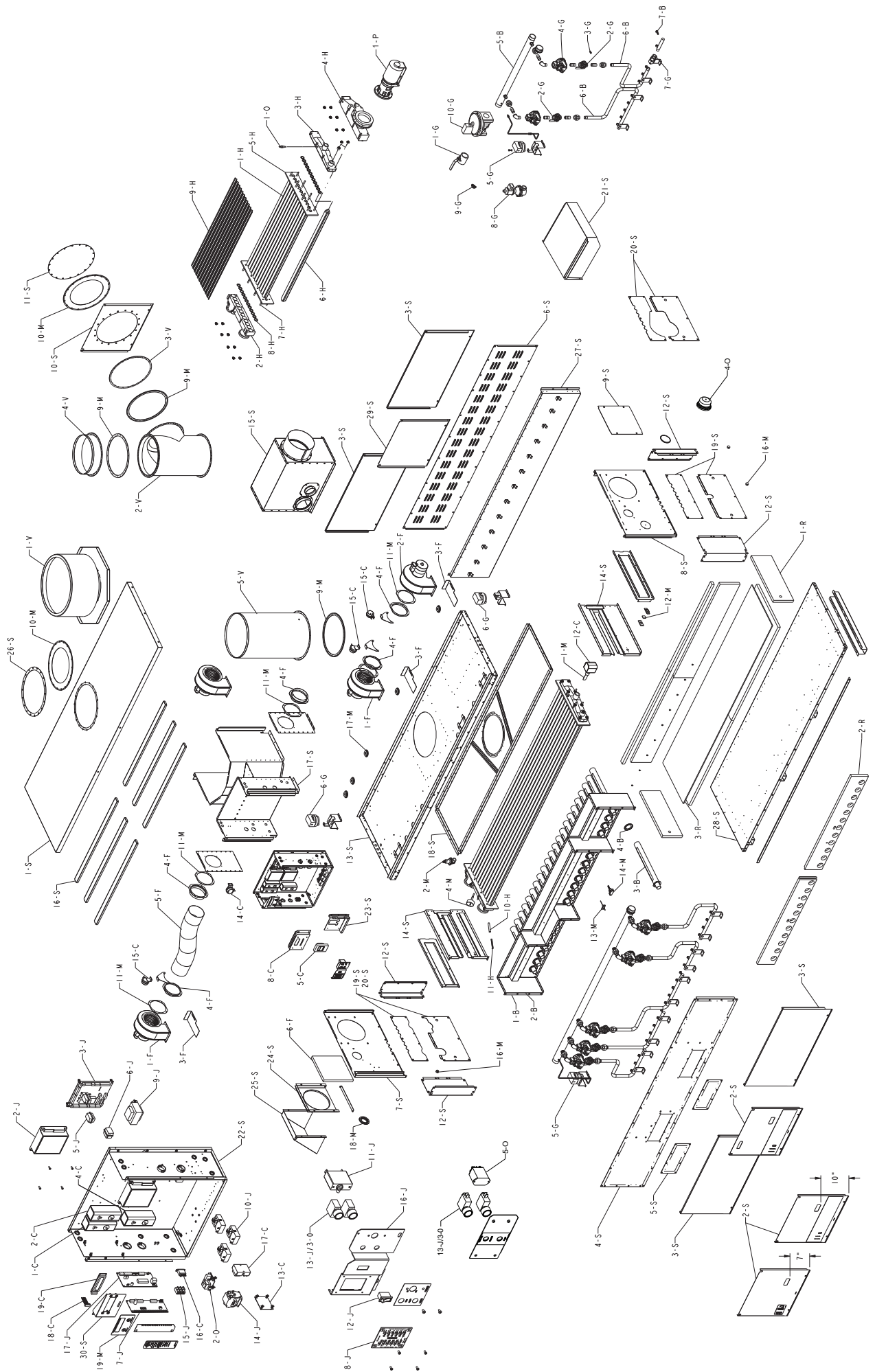
THE PARTS LISTED ARE FOR STANDARD EQUIPMENT FOR THIS MODEL TYPE. RAYPAK RESERVES THE RIGHT TO SUBSTITUTE, DELETE OR CHANGE ANY PART WITHOUT NOTIFICATION. THE ADDITION OF OPTIONS MAY ALSO CHANGE SOME OF THE PARTS. ORDER REPLACEMENT PARTS FROM ACTUAL HEATER COMPONENTS.

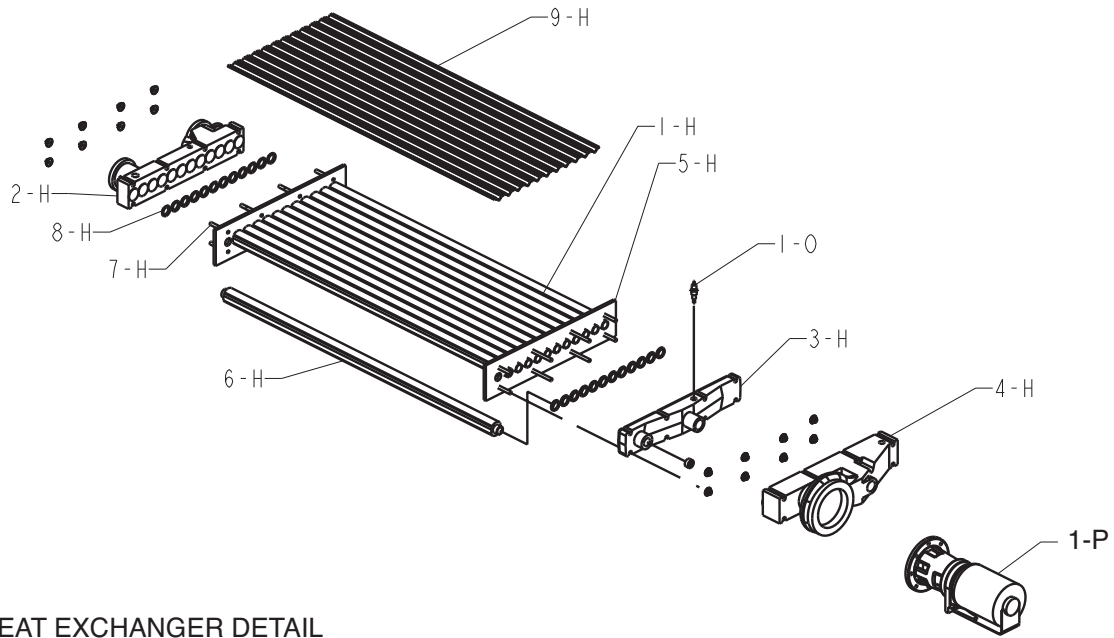


FOR DETAILED INSTRUCTIONS, SEE "HOW TO USE YOUR RAYPAK ILLUSTRATED PARTS LIST",
CATALOG NO. 9001.10

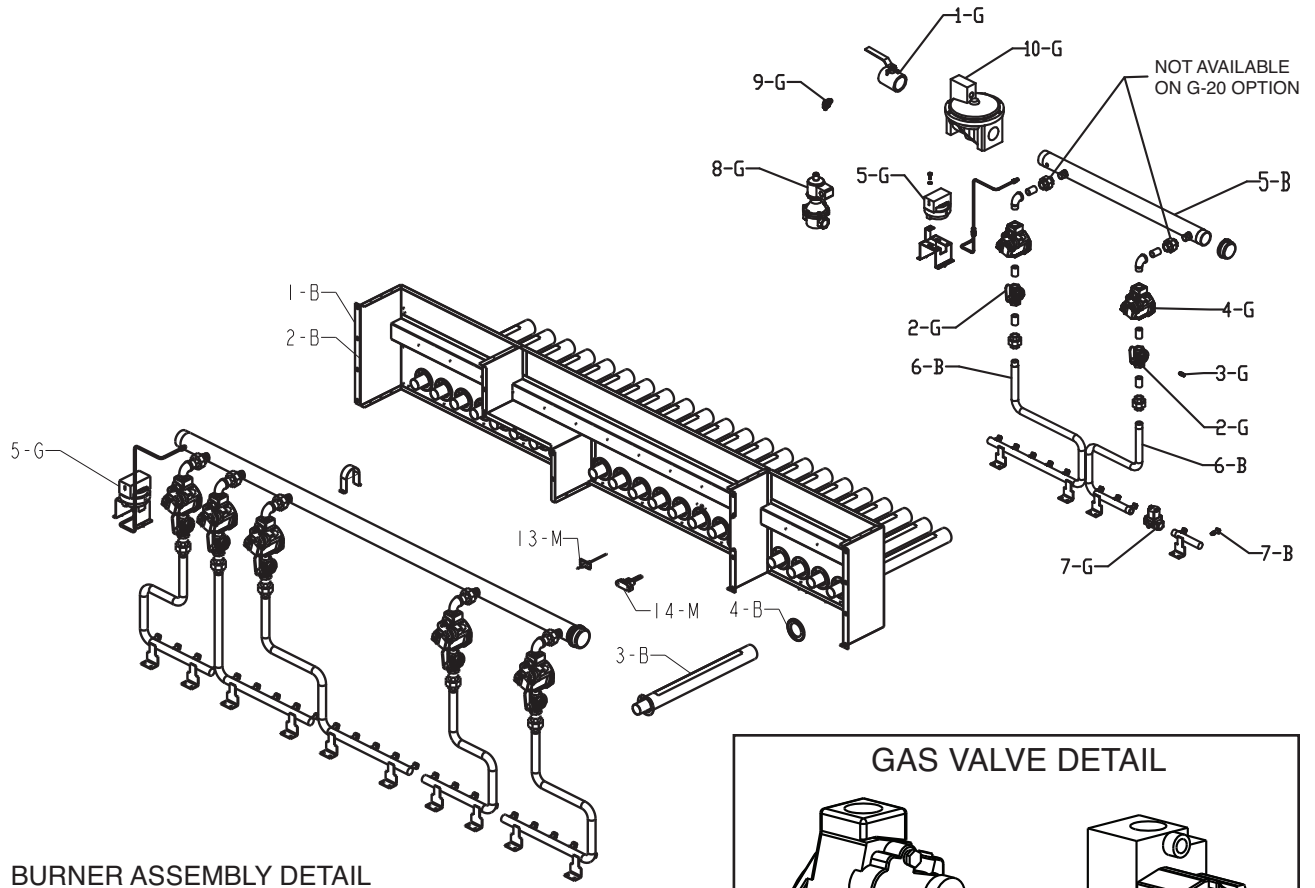


Raypak, Inc., 2151 Eastman Avenue, Oxnard, CA 93030
(805) 278-5300 Fax (800) 872-9725
Litho In U.S.A.

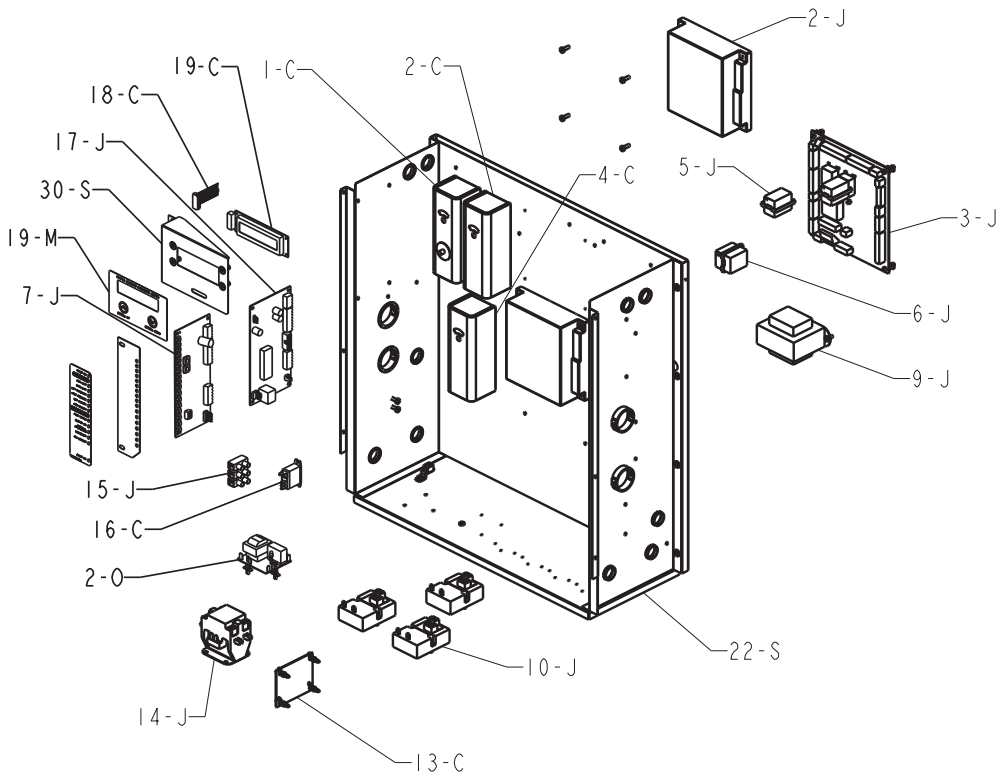




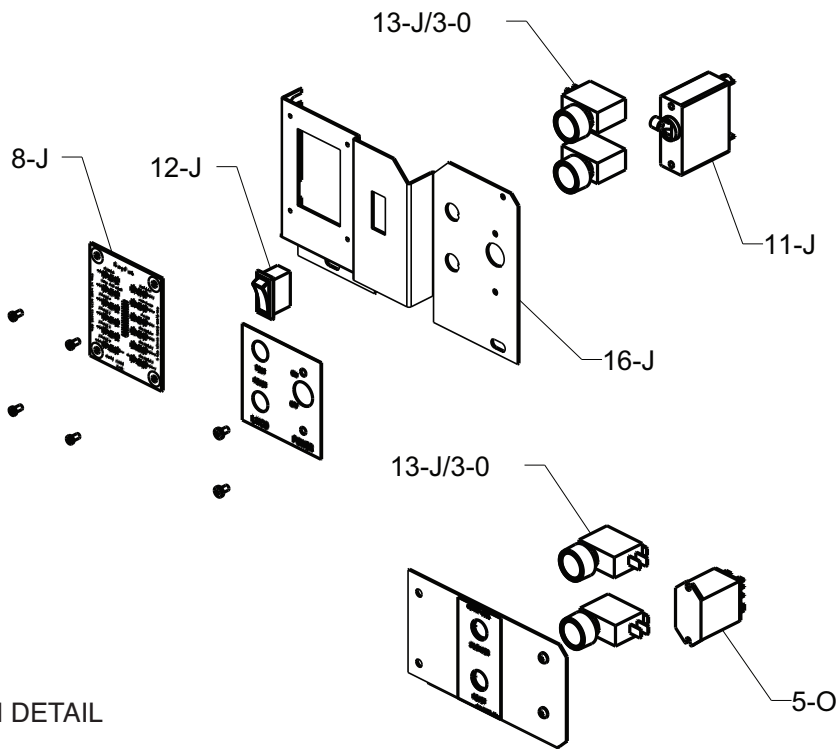
HEAT EXCHANGER DETAIL



BURNER ASSEMBLY DETAIL



CONTROL BOX DETAIL



FRONT SWITCH DETAIL

CALL OUT	DESCRIPTION	992B	1262B	1532B	1802B	2002B	2072B	2342B
R	REFRACTORY							
1-R	Refractory Kit (All Panels)	007760F	007761F	007762F	007763F	007764F	007764F	007765F
2-R	Refractory Front Panels	007766F	007767F	007768F	007769F	007770F	007770F	007771F
3-R	Refractory Blanket	009869F	009870F	009871F	009872F	009873F	009873F	009874F
S	SHEETMETAL							
1-S	Jacket Top	009629F	009630F	009631F	009632F	009633F	009633F	009634F
2-S	Upfront Control Panel	009639F	009640F	009640F	009640F	009641F	009641F	009641F
	Upfront Control Panel w/ Controller Window w/ Large Full Length Logo Decal	009642F	009643F	009643F	009643F	009644F	009644F	009644F
	Upfront Control Panel	012335F	012336F	012336F	012336F	012337F	012337F	012337F
	Upfront Control Panel w/ Controller Window w/LCD Display	012338F	012339F	012339F	012339F	012340F	012340F	012340F
	Upfront Control Panel	012760F	012761F	012761F	012761F	012762F	012762F	012762F
	Upfront Control Panel w/ Controller Window	012763F	012764F	012764F	012764F	012765F	012765F	012765F
3-S	Upper Control Access Jacket Panel	009645F	009646F	009647F	009648F	009649F	009649F	009650F
4-S	Lower Front Jacket Panel	009651F	009652F	009653F	009654F	009655F	009655F	009656F
5-S	Access Panel Igniter/Sensor	N/A	N/A	N/A	N/A	N/A	N/A	N/A
6-S	Lower Rear Jacket Panel	009657F	009658F	009659F	009660F	009661F	009661F	009662F
7-S	Upper Left Side Jacket Panel	009663F	009663F	009663F	009663F	009663F	009663F	009663F
8-S	Upper Right Side Jacket Panel	009695F	009695F	009695F	009695F	009695F	009695F	009695F
9-S	Air Intake Cover Panel	009696F	009696F	009696F	009696F	009696F	009696F	009696F
10-S	Rear Flue Exhaust Cover Panel	009664F	009665F	009665F	009666F	009666F	009666F	009667F
11-S	Flue Exhaust Cover Panel	009713F	009714F	009714F	009715F	009715F	009715F	009716F
12-S	Lower Corner Supports Front and Rear	009668F	009668F	009668F	009668F	009668F	009668F	009668F
13-S	Center Support Panel	010237F	010238F	010239F	010240F	010241F	010241F	010243F
14-S	Left & Right Heat Exchanger Support	010244F	010244F	010244F	010244F	010244F	010244F	010244F
15-S	Intake Air Distribution Box (Truseal)	009669F	009669F	010789F	010789F	009670F	009670F	009670F
16-S	Support Horizontal	009671F	009672F	009673F	009674F	009675F	009675F	009676F
17-S	Support Assy Controls and Flue Exhaust	009677F	009677F	009677F	009677F	009677F	009677F	009677F
18-S	Flue Collector Top	009678F	009679F	009680F	009681F	009682F	009682F	009683F
19-S	Access Panel	009684F	009684F	009684F	009684F	009684F	009684F	009684F
20-S	Access Panel w/Pump	009685F	009685F	009685F	009685F	009685F	009685F	009685F
21-S	Pump Cover	002671F	002671F	002671F	002671F	002671F	002671F	002671F
22-S	Control Box Sheetmetal	009686F	009686F	009686F	009686F	009686F	009686F	009686F
23-S	Controller Mounting Panel*	012341F	012341F	012341F	012341F	012341F	012341F	012341F
24-S	Filter Mounting Panel	009699F	009699F	009699F	009699F	009699F	009699F	009699F
25-S	Intake Air Vent Hood	010747F	010747F	010747F	010747F	010747F	010747F	010747F
26-S	Flue Exhaust Gasket Retainer	010032F	010033F	010033F	010034F	010034F	010034F	010035F
27-S	Combustion Chamber Rear Panel	010772F	010773F	010774F	010775F	010776F	010776F	010777F
28-S	Base Assy	010760F	010761F	010762F	010763F	010764F	010764F	010765F
29-S	Rear Center Cover Panel	011859F	011859F	011859F	011859F	011859F	011859F	011859F
30-S	LCD/Keypad Panel	012757F	012757F	012757F	012757F	012757F	012757F	012757F
V	VENTING							
1-V	Outdoor Stack	014552F	014553F	014553F	014649F	014649F	014649F	010799
2-V	Flue Exhaust Tee	009701F	009702F	009702F	009703F	009703F	009703F	009704F
3-V	Flue Exhaust Tee Cap	009705F	009706F	009706F	009707F	009707F	009707F	009708F
4-V	Flue Exhaust Adapter	009709F	009710F	009710F	009711F	009711F	009711F	009712F
5-V	Flue Exhaust Straight Pipe	011854F	011855F	011855F	011856F	011856F	011856F	011857F



Registered Quality Management System

www.raypak.com