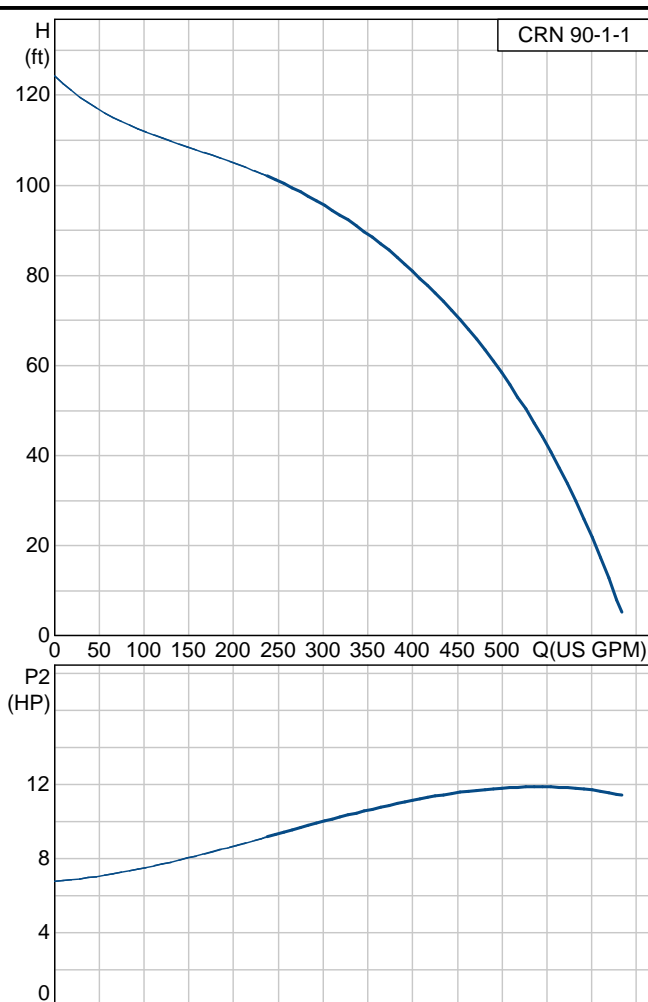
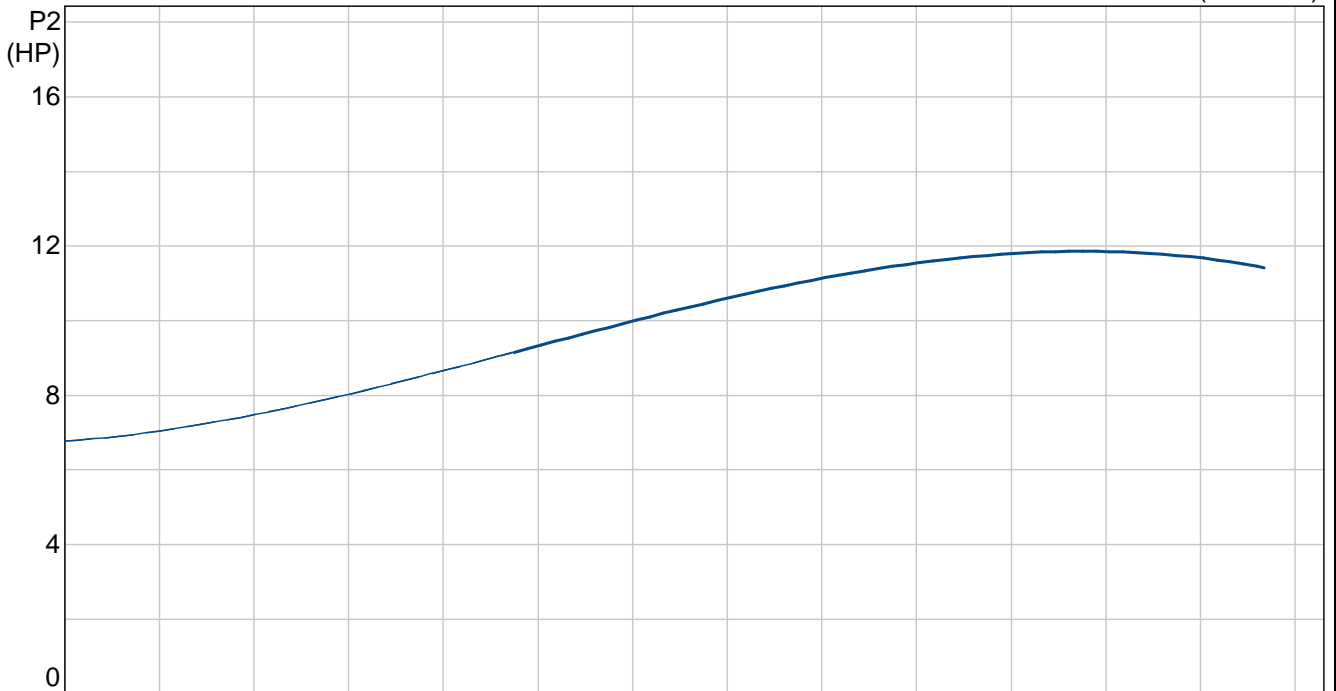
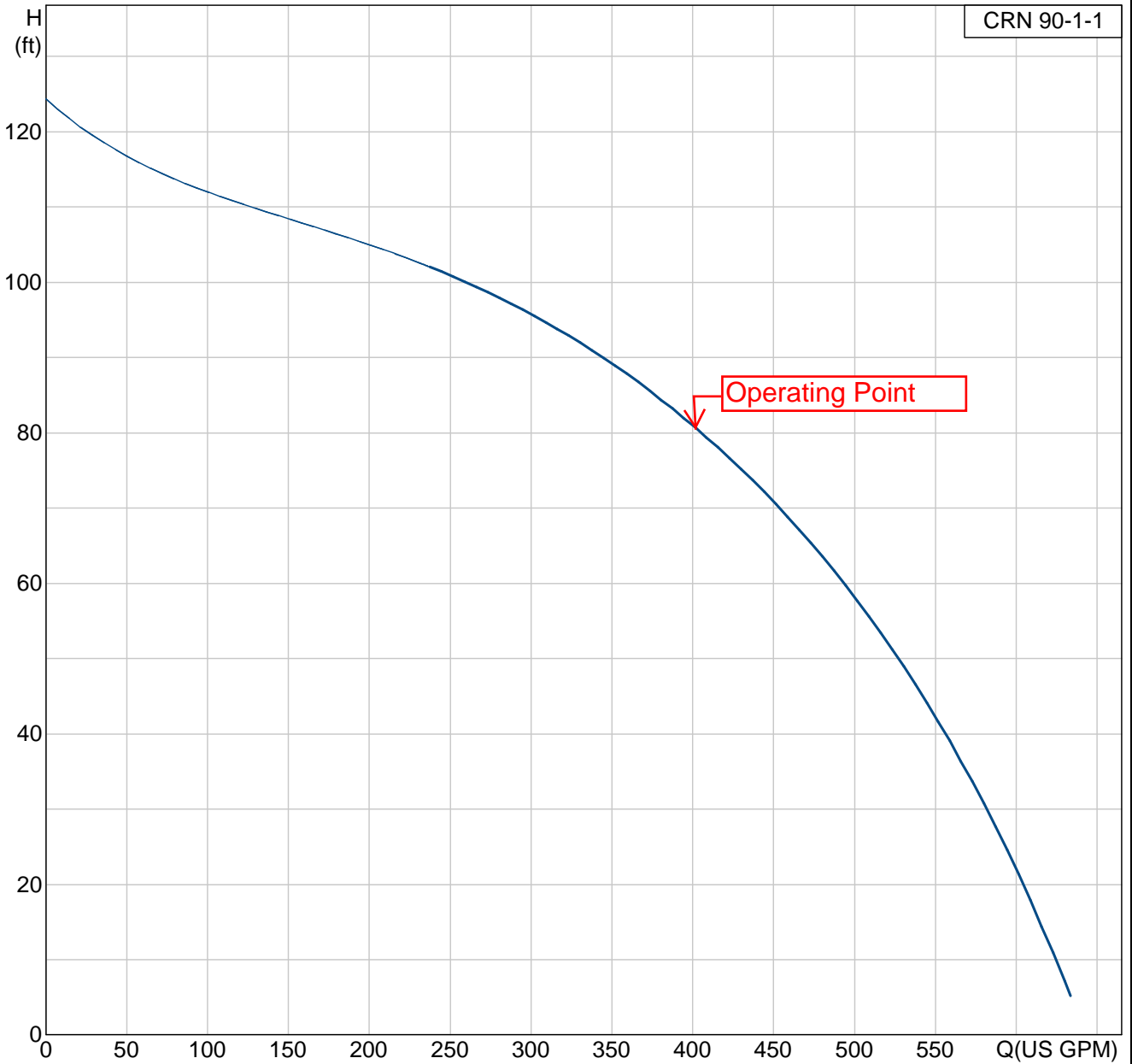


Description	Value
Product name:	CRN 90-1-1 A-G-G-E KUHE
Product No:	96458216
EAN number:	5700394627832
<b>Technical:</b>	
Speed for pump data:	3444 rpm
Rated flow:	440.3 US GPM
Rated head:	69.9 ft
Impellers:	1
Impeller reduc.:	1
Type of shaft seal:	KUHE
Approvals on motor nameplate:	UL Recognized Component, CSA
Curve tolerance:	ISO 9906 Annex A
Stages:	1
Pump version:	A
Model:	A
<b>Materials:</b>	
Material, pump housing:	Stainless steel 1.4408 DIN W.-Nr. 316 LN AISI
Material, impeller:	Stainless steel 1.4401 DIN W.-Nr. 316 AISI
Material code:	G
Code for rubber:	E
<b>Installation:</b>	
Maximum ambient temperature:	104 °F
Max pressure at stated temp:	232 / 194 psi / °F
Standard, pipe connection:	ANSI
Connect code:	G
Size, pipe connection:	4"
Pressure stage, pipe connec.:	150 Lb.
Flange size for motor:	254TC
<b>Liquid:</b>	
Liquid temperature range:	32 .. 194 °F
<b>Electrical data:</b>	
Motor type:	Baldor, TEFC
P2:	15 HP
KVA code:	L
Mains frequency:	60 Hz
Rated voltage:	3 x 208-230 / 460 V
Service factor:	1,15
Rated current:	38-34 / 17 A
Starting current:	376-340 / 170 A
Load current:	43.6-40 / 20 A
Cos phi - power factor:	0,94
Rated speed:	3450 rpm
Full load motor efficiency:	86,5 %
Insulation class (IEC 85):	F
Motor protec:	None
Motor No:	85600024
<b>Others:</b>	
Net weight:	359 lb
Gross weight:	503 lb
Shipping volume:	19.1 ft³
Sales region:	namreg

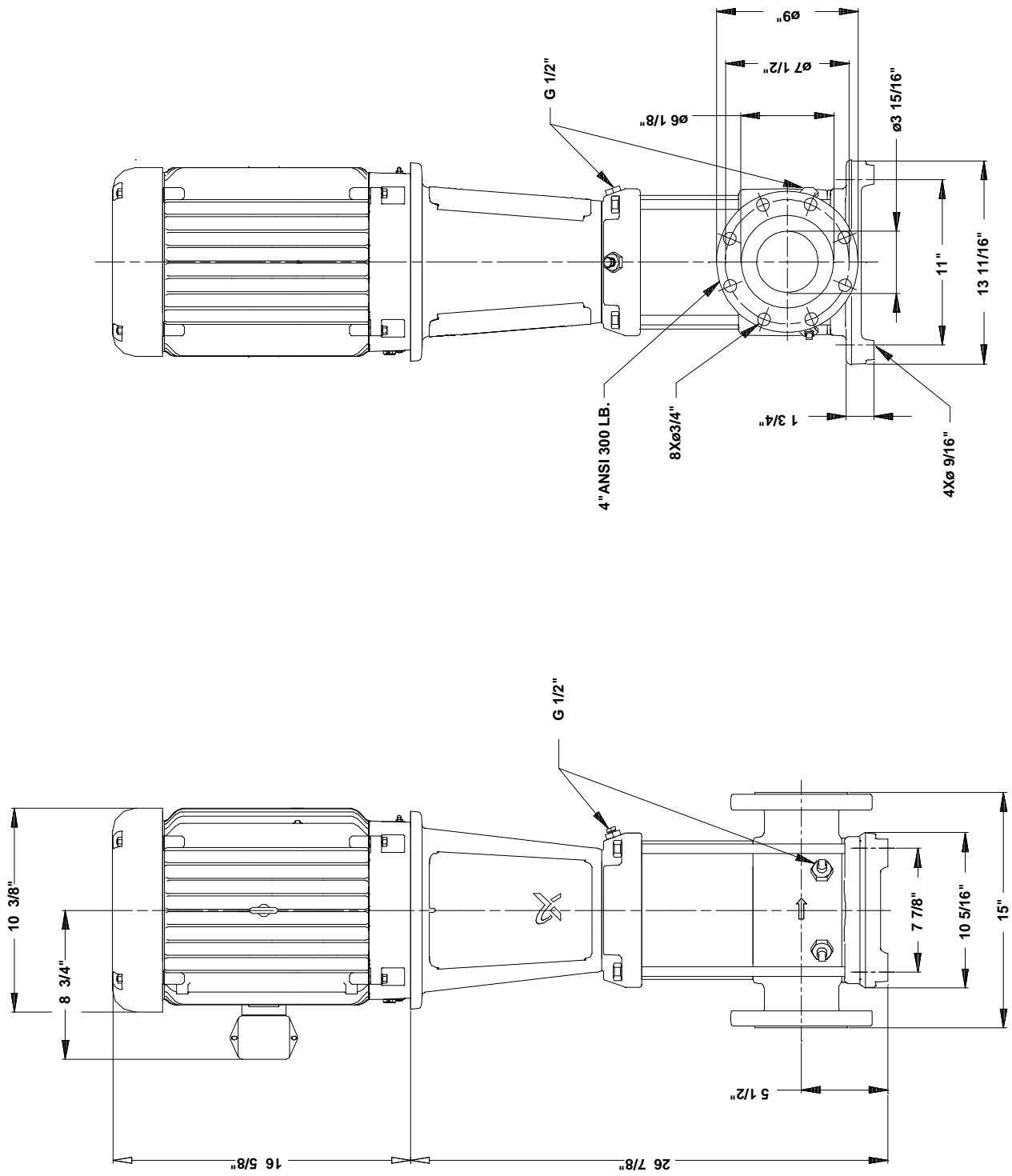


96458216 CRN 90-1-1

CRN 90-1-1



96458216 CRN 90-1-1



Note! All units are in [mm] unless others are stated.