






CATALOG NO. 9001.10  
 Effective: 10-01-07  
 Replaces: 05-01-01

### HOW TO USE YOUR RAYPAK ILLUSTRATED PARTS LIST

The Model Number, of a Raypak boiler, is found on the Rating Plate for the Boiler. Each Model number identifies the application, the construction and the function of the boiler and provides a positive means of providing information, both installation and service, and parts in a minimum amount of time. The example, shown below, should be used as a guide to identifying your boiler.

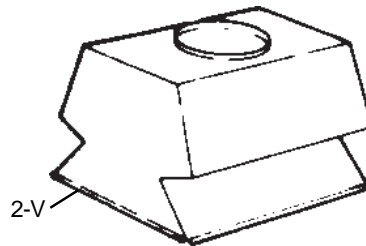
Model No: H3 - 1631

 <p><b>NATL. BD. 175968</b>        CERTIFIED BY <b>RAYPAK, INC.</b>        OXNARD, CALIFORNIA</p> <p>MAX W.P. WATER 160 PSI        BTU/HR. INPUT 1,630,000        MFR SERIAL NO 0010175968        MIN RELIEF VALVE CAP 1,337 LBS/HR        HEATING SURFACE 129 SQ FT        MAX WATER TEMP 250 °F</p> <hr/> <p>BTU/HR OUTPUT 1,336,600        BTU/HR INPUT 1,630,000        MIN INPUT RATE 0 BTU/HR        GAS NAT        MODEL NO H3-1631        CATEGORY 1 BOILER</p> <p>DESIGN CERTIFIED  </p> <p>ANS Z21 13b-1994        LOW PRESSURE BOILER</p> <p>ACCEPTED FOR USE        CITY OF NEW YORK        DEPARTMENT OF BUILDINGS        MEA# 407-88-E VOL II</p> <p>p/n 900808</p>	<p style="text-align: center;"><b>HOT WATER BOILER</b>        FOR INDOOR INSTALLATION ONLY</p> <hr/> <p>MIN. CLEARANCES FROM COMBUSTIBLE CONSTRUCTION</p> <table style="width: 100%;"> <tr><td>RIGHT SIDE</td><td>24"</td></tr> <tr><td>LEFT SIDE</td><td>24"</td></tr> <tr><td>BACK</td><td>24"</td></tr> <tr><td>TOP</td><td>24"</td></tr> </table> <p>FOR SERVICING, PROVIDE AT LEAST 24" OF UNOBSTRUCTED CLEARANCE IN FRONT OF UNIT        THIS BOILER SHALL BE INSTALLED IN A SPACE LARGE IN COMPARISON TO THE SIZE OF THE BOILER</p> <hr/> <table style="width: 100%;"> <tr><td style="text-align: center;">NAT</td><td style="text-align: center;">LPG</td></tr> <tr><td>MAX. PERMISSIBLE GAS SUPPLY PRESSURE</td><td>14"W.C. 14"W.C.</td></tr> <tr><td>MIN. PERMISSIBLE GAS SUPPLY PRESSURE FOR PURPOSE OF INPUT ADJUSTMENT</td><td>7"W.C. 12"W.C.</td></tr> <tr><td>MANIFOLD PRESSURE</td><td>4"W.C. 11"W.C.</td></tr> </table> <p style="text-align: center;">ELECTRICAL RATING:        120/24V 60 HZ. LESS THAN 12 AMPERES</p> <p>WHEN USED WITH POWER VENT TERMINAL NO. 005733 ELECTRICAL RATING WILL BE LESS THAN 20 AMPS. 120 VAC. 60 HZ</p>	RIGHT SIDE	24"	LEFT SIDE	24"	BACK	24"	TOP	24"	NAT	LPG	MAX. PERMISSIBLE GAS SUPPLY PRESSURE	14"W.C. 14"W.C.	MIN. PERMISSIBLE GAS SUPPLY PRESSURE FOR PURPOSE OF INPUT ADJUSTMENT	7"W.C. 12"W.C.	MANIFOLD PRESSURE	4"W.C. 11"W.C.	<p>FOR INSTALLATION ON NON-COMBUSTIBLE FLOORS ONLY        * FOR INSTALLATION ON COMBUSTIBLE FLOORING ONLY WHEN INSTALLED ON SPECIAL BASE PART NUMBER</p> <table style="width: 100%; border-collapse: collapse;"> <tr> <td style="width: 25%;">MODEL</td> <td style="width: 25%;">PART NO</td> <td style="width: 25%;">MODEL</td> <td style="width: 25%;">PART NO</td> </tr> <tr> <td>982</td> <td>059233</td> <td>1468</td> <td>059237</td> </tr> <tr> <td>1125</td> <td>059234</td> <td>1631</td> <td>059238</td> </tr> <tr> <td>1223</td> <td>059235</td> <td>1826</td> <td>059239</td> </tr> <tr> <td>1336</td> <td>059236</td> <td></td> <td></td> </tr> </table> <p>ALL OPENINGS MUST REMAIN UNOBSTRUCTED        BLOCKING OPENINGS WILL DAMAGE UNIT</p> <div style="text-align: center;">  </div> <table style="width: 100%; border-collapse: collapse;"> <tr> <td style="width: 33%; border-bottom: 1px solid black;">MODEL</td> <td style="width: 33%; border-bottom: 1px solid black;">OUTDOOR KIT#</td> <td style="width: 33%; border-bottom: 1px solid black;">INDOOR KIT#</td> </tr> <tr> <td style="height: 40px;"></td> <td></td> <td></td> </tr> </table>	MODEL	PART NO	MODEL	PART NO	982	059233	1468	059237	1125	059234	1631	059238	1223	059235	1826	059239	1336	059236			MODEL	OUTDOOR KIT#	INDOOR KIT#			
RIGHT SIDE	24"																																											
LEFT SIDE	24"																																											
BACK	24"																																											
TOP	24"																																											
NAT	LPG																																											
MAX. PERMISSIBLE GAS SUPPLY PRESSURE	14"W.C. 14"W.C.																																											
MIN. PERMISSIBLE GAS SUPPLY PRESSURE FOR PURPOSE OF INPUT ADJUSTMENT	7"W.C. 12"W.C.																																											
MANIFOLD PRESSURE	4"W.C. 11"W.C.																																											
MODEL	PART NO	MODEL	PART NO																																									
982	059233	1468	059237																																									
1125	059234	1631	059238																																									
1223	059235	1826	059239																																									
1336	059236																																											
MODEL	OUTDOOR KIT#	INDOOR KIT#																																										

### Raytherm Type Designations

CURRENT TYPE DESIGNATION	FIRING MODE	OLD TYPE DESIGNATION	MODELS	CURRENT TYPE TEMPERATURE RANGE
H1	MECH MOD	T	133-1826	150-210
H2	MOTOR MOD	TA	514-4001	160-260
H3	TWO-STAGE	TB	181-4001	130-230
H4	ON/OFF	TC	181-4001	100-240
H5	LOW TEMP MOD	TD	400-1826	110-170
H6	MOTOR MOD	TX WITH B-3	514-4001	B6000*
H9	FOUR-STAGE	NEW	514-4001	-40-220
WH1	ON/OFF	WT, W1	133-4001	100-200
WH2	MECH MOD	THWS, W2	133-1826	110-170
WH2	MOTOR MOD	THWS, W2	2100-4001	104-220
WH3	TWO-STAGE	W3	181-4001	130-230
NH - Obsolete	MECH MOD (INSTANTANEOUS)	TIP OR THWS WITH TIP AT END OF S/N	514-1826	110-170
RH - Obsolete	MECH MOD	TIPR OR THWS WITH TIPR AT END OF S/N	514-1125	150-210
WH	ON/OFF - ECONOPAK	N/A	90-403	105-205
P	ON/OFF - POOL	WG	514-4001	40-105

Now find the part you need in the exploded view drawing. After you find the part you will notice a number and letter next to the part. See Drawing below. This is referred to as a "Call Out".



The number serves as a "Finder" number and has no specific part classification.

The letter serves as a "Part Class" identification number. The letters stand for specific groups of parts - see Example below.

- |                         |                   |
|-------------------------|-------------------|
| B - BURNER TRAY         | M - MISCELLANEOUS |
| C - CONTROLS            | P - PILOT         |
| G - GASVALVES           | R - REFRACTORY    |
| H - HEATEXCHANGER       | S - SHEET METAL   |
| J - J-BOX (CONTROL BOX) | V - VENTING       |

To find the Raypak Part Number, refer to the parts list located on the page opposite to the exploded view drawing.

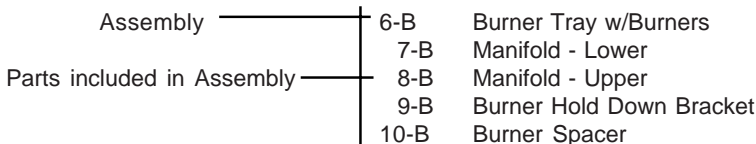
Now take the call-out you found in the exploded view and match it to the call-out in the left hand column. You will notice the parts are to groups. These are grouped into "Part Classes". See Example below.

Call-Out Column

H Class

CALL OUT	DESCRIPTION	185	265	335	405
<b>H</b>	<b>HEAT EXCHANGER</b>				
1-H	Heat Exchange Assy. Cast Iron (Complete)	005244F	005245F	005246F	005247F
	Heat Exchange Assy. Brass (Complete)	005248F	005249F	005250F	005251F
2-H	Inlet/Outlet Header CI	003759F	003759F	003759F	003759F
	Inlet/Outlet Header BR	003760F	003760F	003760F	003760F
3-H	Return Header CI	002450F	002450F	002450F	002450F
	Return Header BR	002451F	002451F	002451F	002451F
4-H	Tube Bundle	005252F	005253F	005254F	005255F
5-H	Heat Exchanger Tube (1)	005256F	005257F	005258F	005259F
6-H	Baffle Kit (8)	005260F	005261F	005262F	005263F
7-H	Bolt Kit	001303F	001303F	001303F	001303F
8-H	Header Gasket (9)	800014B	800014B	800014B	800014B
9-H	Unitherm Governor	062234B	062234B	062234B	062234B
10-H	U.G. Retainer Spring	850254	850254	850254	850254
11-H	Bypass Valve	062235B	062235B	062235B	062235B
12-H	Bypass Spring	850252	850253	850253	850253
13-H	Drain Valve	500719	500719	500719	500719
14-H	Sensor Well	003765F	003765F	003765F	003765F
15-H	Well Retaining Clip	300203	300203	300203	300203
16-H	Inlet & Outlet Flange	003766F	003766F	003766F	003766F
17-H	Flange Gasket 1 1/2" Connections	062236B	062236B	062236B	062236B
	Flange Gasket 2" Connections	800080B	800080B	800080B	800080B
18-H	Rear Drain Plug & Cover	005264F	005264F	005264F	005264F

You will also notice that some of the call-out's are indented. The indentations represent parts that are included in the assemblies listed directly above the indentation. You can order the complete assembly or the indented parts separately. If the part or assembly does not offer separate parts there will be no indentations.



**COMMERCIAL**  
**MODELS: 2100 THRU 4001**

CATALOG NO. 9300.65  
Effective: 12-28-12  
Replaces: 07-16-12

## RAYPAK ILLUSTRATED PARTS LIST

**MODEL SIZES: 2100, 2500, 3001, 3500 & 4001**

**MODEL TYPES: H, W, WH, N & NH**

DATES OF MANUFACTURE: 9-01-84 THRU CURRENT EXCEPT AS NOTED.

MODEL TYPE: H4 3-01-87 THRU CURRENT

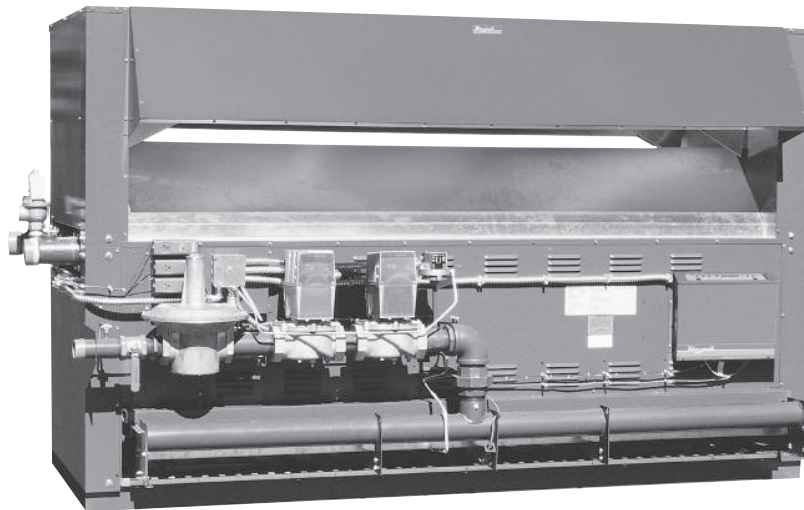
MODEL TYPE: N 9-1-84 THRU 12-31-89

MODEL TYPE: W3 1-1-99 THRU CURRENT

MODEL TYPE: WH1, WH2 & WH3 1-1-01 THRU CURRENT

MODEL TYPE: H6 9-1-84 THRU 12-31-08

THE PARTS LISTED ARE FOR STANDARD EQUIPMENT FOR THIS MODEL TYPE. RAYPAK RESERVES THE RIGHT TO SUBSTITUTE, DELETE OR CHANGE ANY PART WITHOUT NOTIFICATION. THE ADDITION OF OPTIONS MAY ALSO CHANGE SOME OF THE PARTS. ORDER REPLACEMENT PARTS FROM ACTUAL HEATER COMPONENTS.



### MODEL TYPE DESIGNATIONS

#### NEW

H2  
H3  
H4  
H6  
WH1  
WH2  
WH3  
N

#### OLD

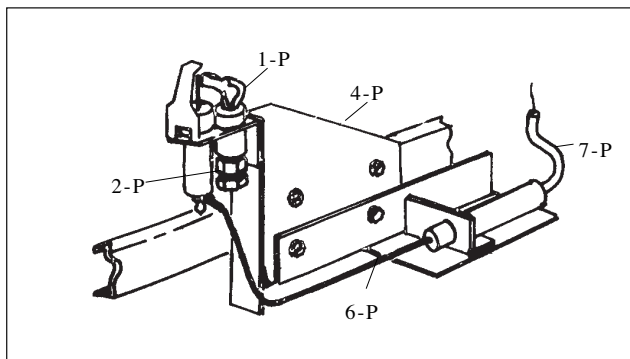
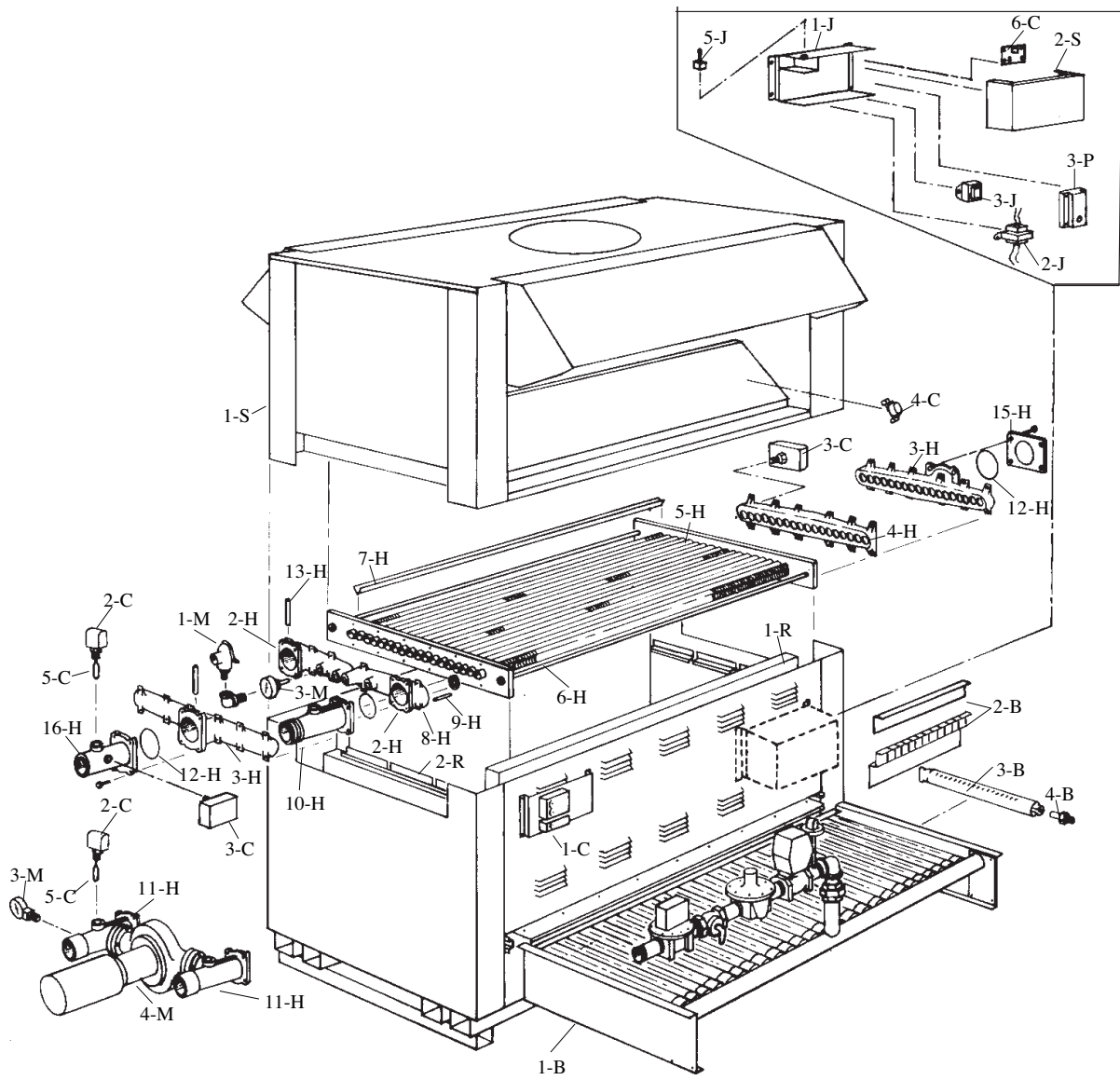
Ta  
Tb  
Tc  
Tx  
WT  
THWS  
-  
TIP

FOR DETAILED INSTRUCTIONS, SEE "HOW TO USE YOUR RAYPAK ILLUSTRATED PARTS LIST", CATALOG NO. 9001.10



Raypak, Inc., 2151 Eastman Avenue, Oxnard, CA 93030  
(805) 278-5300 Fax (800) 872-9725  
Litho In U.S.A.

Part No. 240469



CALL OUT	DESCRIPTION	2100	2500	3001	3500	4001
<b>B</b>	<b>BURNER TRAY**</b>					
1-B	Burner Tray w/Burners (Sea Level)*	001897F	001898F	001899F	001900F	001901F
	Burner Tray w/o Burners (Sea Level)*	001902F	001903F	001904F	001905F	001906F
2-B	Burner Spacer/Hold down Kit	001907F	001908F	001909F	001910F	001911F
3-B	Burner	305846/21	305846/25	305846/30	305846/35	305846/40
4-B	Burner Orifice Nat. (Sea Level)* #17	350791F/21	350791F/25	350791F/30	350791F/35	350791F/40
	Burner Orifice Pro. (Sea Level)* #36	351053F/21	351053F/25	351053F/30	351053F/35	351053F/40
<b>C</b>	<b>CONTROLS</b>					
1-C	Manual Reset Adjustable High Limit 240°F Max	007144F	007144F	007144F	007144F	007144F
	Manual Reset Adjustable High Limit 200°F Max	008081F	008081F	008081F	008081F	008081F
	Auto Reset Adjustable High Limit 180°F Max	006445F	006445F	006445F	006445F	006445F
	Auto Reset Adjustable High Limit 200°F Max	012546F	012546F	012546F	012546F	012546F
	Auto Reset Dualstat	004092F	004092F			
	Manual Reset Dualstat			004092F	004092F	004092F
	Auto Reset Adjustable High Limit 240°F Max	007141F	007141F	007141F	007141F	007141F
	Controller 2 Stage H3	007392F	007392F	007392F	007392F	007392F
	Controller 2 Stage W3	006760F	006760F	006760F	006760F	006760F
	Controller 4 Stage W3	006759F	006759F	006759F	006759F	006759F
	Controller (H2)	N/A	N/A	N/A	N/A	N/A
	Controller (N W2)	N/A	N/A	N/A	N/A	N/A
	Controller (H2 w/B5)	N/A	N/A	N/A	N/A	N/A
	Controller Modulating (B-40/B-41) Digital	013293F	013293F	013293F	013293F	013293F
2-C	Flow Switch	007142F	007142F	007142F	007142F	007142F
3-C	Low Water Cut Off	006202F	006202F	006202F	006202F	006202F
4-C	Thermostat Economaster (TTD)	003609F	003609F	003609F	003609F	003609F
5-C	Flow Switch Paddle (McDonnell Miller)	004079F	004079F	004079F	004079F	004079F
	Flow Switch Paddle (Taco)	010026F	010026F	010026F	010026F	010026F
6-C	Economaster II Control	004675F	004675F	004675F	004675F	004675F
<b>G</b>	<b>GAS VALVES</b>	<b>SEE GAS VALVE REPLACEMENT CHART</b>				
<b>H</b>	<b>HEAT EXCHANGER</b>					
1-H	Heat Exch Assy-Cast Iron 2 Pass	001912F	001913F	001914F	001915F	001916F
	Heat Exch Assy-Brass 2 Pass	001917F	001918F	001919F	001920F	001921F
	Heat Exch Assy-Cast Iron 2 Pass Cupro Nickel	001927F	001928F	001929F	001930F	001931F
	Heat Exch Assy-Brass 2 Pass Cupro Nickel	001932F	001933F	001934F	001935F	001936F
	Heat Exch Assy-Cast Iron 1 Pass	001922F	001923F	001924F	001925F	001926F
17-H	Inlet Header Cast Iron 2 Pass	010036F	010036F	010036F	010036F	010036F
	Inlet Header Brass 2 Pass	010037F	010037F	010037F	010037F	010037F
2-H	Outlet Header Cast Iron 2 Pass	001966F	001966F	001966F	001966F	001966F
	Outlet Header Brass 2 Pass	001967F	001967F	001967F	001967F	001967F
3-H	Inlet or Outlet Header Cast Iron 1 Pass	001968F	001968F	001968F	001968F	001968F
4-H	Return Header Cast Iron 2 Pass	001969F	001969F	001969F	001969F	001969F
	Return Header Brass 2 Pass	001970F	001970F	001970F	001970F	001970F
5-H	Tube Bundle	001937F	001938F	001939F	001940F	001941F
	Tube Bundle Cupro Nickel (N)	001942F	001943F	001944F	001945F	001946F
6-H	Heat Exchange Tube	001947F	001948F	001949F	001950F	001951F
	Heat Exchange Tube Cupro Nickel (N)	001952F	001953F	001954F	001955F	001956F
7-H	Baffle Kit	001957F	001958F	001959F	001960F	001961F
8-H	Stud Bolt Kit	001962F	001962F	001962F	001962F	001962F
9-H	Header Gasket	001054F	001054F	001054F	001054F	001054F
10-H	Adapter Inlet or Outlet Cast Iron 2 Pass	002088F	002088F	002088F	002088F	002088F
	Adapter Inlet or Outlet Brass 2 Pass	002087F	002087F	002087F	002087F	002087F
15-H	Adapter Inlet Brass 1 Pass	002638F	002638F	002638F	002638F	002638F
16-H	Adapter Outlet Brass 1 Pass	005399F	005399F	005399F	005399F	005399F
11-H	Adapter Inlet or Outlet Brass 2 Pass N	002089F	002089F	002089F	002089F	002089F
12-H	Adapter Gasket 2 Pass	005891F	005891F	005891F	005891F	005891F
	Adapter Gasket 1 Pass	800032	800032	800032	800032	800032
13-H	Sensor Well 1/2" O.D.	350338	350338	350338	350338	350338
	Sensor Well 5/8" O.D.	350337	350337	350337	350337	350337
14-H	Well Retaining Clip (Not Shown)	300203	300203	300203	300203	300203

\*FOR ALTITUDES ABOVE 2,000 FEET ABOVE SEA LEVEL, CONSULT THE FACTORY OR SERVICE OUTLET.

\*\*REPLACEMENT BURNER TRAYS ARE BUILT FOR SEA LEVEL, NATURAL GAS APPLICATIONS UNLESS OTHERWISE SPECIFIED AT THE TIME THE ORDER IS PLACED.

CALL OUT	DESCRIPTION	2100	2500	3001	3500	4001
J	J-BOX					
1-J	J-Box Nat./Pro. IID H2, H6 w/B3 or B5	002836F	002836F	002837F	002837F	002837F
	J-Box Nat./Pro. IID H3	002856F	002856F	006190F	006190F	006190F
	J-Box Nat./Pro. IID W1, H4	002835F	002835F	002837F	002837F	002837F
	J-Box Nat./Pro. IID W2	002854F	002854F	002855F	002855F	002855F
	J-Box Nat./Pro. IID W3	006655F	006655F	006656F	006656F	006656F
	J-Box Nat./Pro. IID N	002857F	002857F	002867F	002867F	002867F
	J-Box Nat. C2 H2, H6 w/B3 or B5 W1, W2 H4 (Not Shown)	N/A	N/A	N/A	N/A	N/A
	J-Box Nat. C2 H3 (Not Shown)	N/A	N/A	N/A	N/A	N/A
	J-Box Nat. C2 N (Not Shown)	N/A	N/A	N/A	N/A	N/A
	J-Box Nat. IRI H2, H6 w/B3 or B5, W1, W2 (Not Shown)	N/A	N/A	N/A	N/A	N/A
	J-Box Nat. IRI H3	N/A	N/A	N/A	N/A	N/A
	J-Box Nat. IRI W3 (Not Shown)	N/A	N/A	N/A	N/A	N/A
	J-Box Nat. IRI N	N/A	N/A	N/A	N/A	N/A
2-J	Transformer	006533F	006533F	006533F	006533F	006533F
	Spark Generator C2 & IRI (Not Shown)	007361F	007361F	007361F	007361F	007361F
3-J	Relay SPST 24V IID	007377F	007377F	007377F	007377F	007377F
	Relay DPDT 24V	008090F	008090F			
	Relay DPDT 120V NO/NC	013243F	013243F	013243F	013243F	013243F
	Relay SPDT 120V C2 (Not Shown)	008145F	008145F	008145F	008145F	008145F
	Relay DPDT 120V IRI (Not Shown)	600158	600158	600158	600158	600158
4-J	Contactors 3PST 24V IID/IRI N (Not Shown)	600543F	600543F	600543F	600543F	600543F
	Contactors 3PST 24V C2 N (Not Shown)	600544F	600544F	600544F	600544F	600544F
5-J	Toggle Switch	008079F	008079F	008079F	008079F	008079F
M	MISCELLANEOUS					
1-M	PRV 60 PSI ( H2, H3, H6, H4)	007754F	007754F	007755F	007755F	007755F
	PRV 125 (W1, W2, W3, N)	007758F	007759F	007759F	007759F	007759F
	PRV 125 (WH)	007759F	007759F	007759F	012312F	012312F
	PRV 150	007225F	012313F	012313F	012313F	012314F
2-M	Delimiting Kit	052870F	052870F	052870F	052870F	052870F
3-M	T & P Gauge (H2, H3, H4, H6)	007205F	007205F	007205F	007205F	007205F
	T & P Gauge (W1, W2, W3, N, H4)	007399F	007399F	007399F	007399F	007399F
4-M	Pump w/Volute Bronze	950909F	950909F	950909F	950909F	950909F
	Pump w/Volute CIBF	N/A	N/A	N/A	N/A	N/A
5-M	Power Vent Motor (Not Shown)	951155F	951155F	951156F	951156F	951156F
6-M	Power Vent Motor Drive Belt (Not Shown)	951158F	951158F	951158F	951158F	951158F
7-M	Power Vent Discharge Fan (Not Shown)	951159F	951159F	951160F	951160F	951160F
8-M	Power Vent Shaft/Bearing Assy. (Not Shown)	951161F	951161F	951162F	951162F	951162F
9-M	Power Vent PC Board (Not Shown)	005503F	005503F	005503F	005503F	005503F
10-M	Power Vent Flue Sensor (Not Shown)	006433F	006433F	006433F	006433F	006433F
11-M	Touch-up Paint					
	Green	750125	750125	750125	750125	750125
	Dark Gray	750126	750126	750126	750126	750126
	Cool Dark Gray	750256	750256	750256	750256	750256
P	PILOT					
1-P	Pilot Nat. IID	002084F	002084F	002084F	002084F	002084F
	Pilot Pro. IID	002085F	002085F	002085F	002085F	002085F
	Pilot Nat. C2 IRI	002086F	002086F	002086F	002086F	002086F
2-P	Pilot Orifice Nat. IID	600552	600552	600552	600552	600552
	Pilot Orifice Pro. IID	600894	600894	600894	600894	600894
	Pilot Orifice Nat. C2 & IRI	600552	600552	600552	600552	600552
3-P	Ignition Control Nat. & Pro. IID	004818B	004818B	004818B	004818B	004818B
	Ignition Control Nat. C2A, IRI	007359F	007359F	007359F	007359F	007359F
	Base Ignition Control	008701F	008701F	008701F	008701F	008701F
	Ignition Control C2A (complete)	008702F	008702F	008702F	008702F	008702F
4-P	Pilot Mounting Bracket	305847	305847	305847	305847	305847
5-P	Pilot Tube (Specify Length)	400013	400013	400013	400013	400013
6-P	Ignitor Wire	064839	064839	064839	064839	064839
7-P	Hi Tension Wire	002663B	002663B	002663B	002663B	002663B
R	REFRACTORY					
1-R	Refractory Kit	001971F	001972F	001973F	001974F	001975F
2-R	Refractory Retainer Kit	001976F	001977F	001978F	001979F	001980F
S	SHEET METAL					
1-S	Draffhood Top Assy (Includes Flue Collector)	002079F	002080F	002081F	002082F	002083F
2-S	J-Box Sheetmetal	002636F	002636F	002636F	002636F	002636F
	J-Box Sheetmetal C2A, IRI	007803F	007803F	007803F	007803F	007803F

B3 SERVICE REPLACEMENT PARTS	PART NO.
<b>B3A (W964) AQUATROL</b>	
Outdoor Reset Controller	004809F
Outdoor Temp Sensor	600898F
Water Sensor	600899F
Alarm Bell	005642F
Silence Switch	650024F
Relay SPDT 120V Idec	650625F
Relay DPDT 120V Idec	650626F
Relay SPDT 120V	008145F
Relay SPDT 24V	008090F
Relay DPDT 120V	650602F
Lead Boiler Switch	650633F
Main On/Off Switch	650060F
Transformer	006533F
<b>B3C (ZG50) CENTRA</b>	
Outdoor Reset Controller ZG 50	004810F
Control Module TH 53	600975F
Control Module ZF1	600976F
Out Temp Sensor	600977F
Water Sensor	600978F
Alarm Bell	005642F
Silence Switch	650024F
Relay SPDT 120V Idec	650625F
Relay SPDT 120V Idec	650626F
Relay SPDT 24V Idec	650689F
Relay 3PDT 24V Idec (3 Boiler System)	650706F
Relay 4PDT 24V Idec (3 Boiler System)	650758F
Relay 4PDT 120V Idec (3 Boiler System)	650707F
Relay SPDT 24V (Alarm)	008090F
Lead Boiler Switch (2 Boilers)	650633F
Lead Boiler Switch (3 Boilers)	650759F
Transformer	006533F
Main On/Off Switch	650060F

For **B6000** replacement parts, see IPL **9300.84**



CALL OUT	GAS VALVE	PART NUMBER	H2,NH,W2,WH2					H4,W1,WH1				
			2100	2500	3001	3500	4001	2100	2500	3001	3500	4001
G	GAS VALVES											
	Manual "B" Valve 1/8"	007195F	1	1	1	1	1	1	1	1	1	1
	Manual "A" Valve 1-1/2"	007933F						1	1			
	Manual "A" Valve 2"	600043	1	1	1	1	1	1	1	1	1	1
	Manual "A" Valve 2-1/2"	600076					1					1
	Pressure Regulator Nat. 3/8"	004060F	1	1	1	1	1	1	1	1	1	1
	Pressure Regulator Pro. 3/8"	004061F	1	1	1	1	1	1	1	1	1	1
	Pressure Regulator Nat. 2"	600036	1	1	1*			1*	1*	1*		
	Pressure Regulator Pro. 2"	003604F	1	1	1*			1*	1*	1*		
	Pressure Regulator Nat. 2-1/2"	600078			1	1	1			1	1	1
	Pressure Regulator Pro. 2-1/2"	003614F			1	1	1			1	1	1
	Auto On/Off Valve 1-1/2	004095F	1					1				
	Auto On/Off Valve 2"	004096F		1					1			
	Gas Valve Body 2"	600453	2*	2*	2	2		2*	2*	2	2	
	Gas Valve Body 2-1/2"	600454					2					2
	Comb. Gas Valve Nat. 1-1/2"	600633						1	1			
	Comb. Gas Valve Pro. 1-1/4"	600693						1	1			
	Comb. 2-Stage Valve Nat. 1-1/2"	600850										
	Comb. 2-Stage Valve Pro. 1-1/4"	601095										
	Pilot Valve 120V	600154			#	#	#			#	#	#
	Pilot Gas Valve 24V	600562	1	1	#	#	#	1	1	#	#	#
	Actuator, On/Off	011908F	1*	1*	1	1	1	2*	2*	2	2	2
	Actuator, Modulation	600449	1	1	1	1	1					
	Actuator, 2-Stage	600458										
	Actuator, B-3/B6000	600900										
*	Gas Pressure Switch Low	007187F	1	1	1	1	1	1	1	1	1	1
	Gas Pressure Switch High	007188F	1*	1*	1	1	1	1*	1*	1	1	1
*	Lube/Cock Valve 2"	600327	2	2	2	2		2	2	2	2	
*	Lube/Cock Valve 2-1/2"	600328					2					2
*	Gas Vent Valve 1"	011914F	1	1	1	1		1	1	1	1	
*	Gas Vent Valve 1-1/4"	600548					1					1

\*REQUIRED FOR IRI MODELS

# UNITS MAY BE BUILT WITH EITHER A 24V OR A 120V PILOT GAS VALVE



CALL OUT	GAS VALVE	PART NUMBER	H3, W3,WH3					H6				
			2100	2500	3001	3500	4001	2100	2500	3001	3500	4001
G	GAS VALVES											
	Manual "B" Valve 1/8"	007195F	1	1	1	1	1	1	1	1	1	1
	Manual "A" Valve 1-1/2"	007933F	1	1								
	Manual "A" Valve 2"	600043	1	1	1	1	1	1	1	1	1	1
	Manual "A" Valve 2-1/2"	600076					1					1
	Pressure Regulator Nat. 3/8"	004060F	1	1	1	1	1	1	1	1	1	1
	Pressure Regulator Pro. 3/8"	004061F	1	1	1	1	1	1	1	1	1	1
	Pressure Regulator Nat. 2"	600036	1*	1*	1*			1*	1*	1*		
	Pressure Regulator Pro. 2"	003604F	1*	1*	1*			1*	1*	1*		
	Pressure Regulator Nat. 2-1/2"	600078			1	1	1			1	1	1
	Pressure Regulator Pro. 2-1/2"	003614F			1	1	1			1	1	1
	Auto On/Off Valve 1-1/2	004095F	1					1				
	Auto On/Off Valve 2"	004096F		1					1			
	Gas Valve Body 2"	600453	2*	2*	2	2		2*	2*	2	2	
	Gas Valve Body 2-1/2"	600454					2					2
	Comb. Gas Valve Nat. 1-1/2"	600633										
	Comb. Gas Valve Pro. 1-1/4"	600693										
	Comb. 2-Stage Valve Nat. 1-1/2" WH3	600850	1	1								
	Comb. 2-Stage Valve Nat. 2" H3/W3	601363	1	1								
	Comb. 2-Stage Valve Pro. 1-1/4"	601095	1	1								
	Pilot Valve 120V	600154			#	#	#					
	Pilot Gas Valve 24V	600562	1	1	#	#	#	1	1	1	1	1
	Actuator, On/Off	011908F	1*	1*	1	1	1	1*	1*	1	1	1
	Actuator, Modulation	600449										
	Actuator, 2-Stage	600458	1*	1*	1	1	1					
	Actuator, B-3/B6000	600900						1	1	1	1	1
*	Gas Pressure Switch Low	007187F	1	1	1	1	1	1	1	1	1	1
	Gas Pressure Switch High	007188F	1*	1*	1	1	1	1*	1*	1	1	1
*	Lube/Cock Valve 2"	600327	2	2	2	2		2	2	2	2	
*	Lube/Cock Valve 2-1/2"	600328					2					2
*	Gas Vent Valve 1"	011914F	1	1	1	1		1	1	1	1	
*	Gas Vent Valve 1-1/4"	600548					1					1

\*REQUIRED FOR IRI MODELS

# UNITS MAY BE BUILT WITH EITHER A 24V OR A 120V PILOT GAS VALVE



[www.raypak.com](http://www.raypak.com)