

## 2 DELTA LIMITED 1529'S STACKED WITH STORAGE TANK

SCALE: 1" = 1'

### PIPING SYMBOLS LEGEND

MIXING VALVE		EXPANSION TANK	
DIVERTING VALVE		BY-PASS VALVE	
PRESSURE REDUCE VALVE		DRAIN VALVE	
PUMP		THERMOMETER	
CHECK VALVE		GAUGE	
UNIONS		BALL VALVE	
CIRCUIT SETTER		AIR SEPARATOR	
ZONE VALVE		BACK FLOW PREVENTER	
FLOWGARD VALVE		AIR VENT	

#### NOTES:

\* MAX PIPE SPACING TO BE 12 INCHES OR  
4 PIPE DIAMETERS APART OR WHICH EVER IS LESS.

#### LIABILITY

This drawing and our recommendations and suggestions, are intended to assist our customers. Our design represents our best judgment based on our experience and the best facts provided to us, any use thereof is at the sole risk of the customer.

It is assumed that the customer will install the THAW-PAK system in compliance with all local, state and national codes.

DRAWN BY:  
Gordon Faustich  
REVIEWED BY:  
CM  
APPROVED BY:  
CM  
ISSUED FOR  
08/15/13 INSTALLATION

**PROPERTY OF THAW-PAK**  
This drawing is the property of THAW-PAK. It has been prepared to assist in the installation of our system. Customer agrees to keep confidential and not disclose this drawing or copies thereof without our written consent.

DRAWING NO.  
PEG13-015P

SHEET NO.  
**P1**

THAW-PAK DISTRIBUTOR:

**PERFORMANCE**  
engineering group

PROJECT NAME:

**TROY MARRIOTT**  
200 W. BIG BEAVER ROAD  
TROY

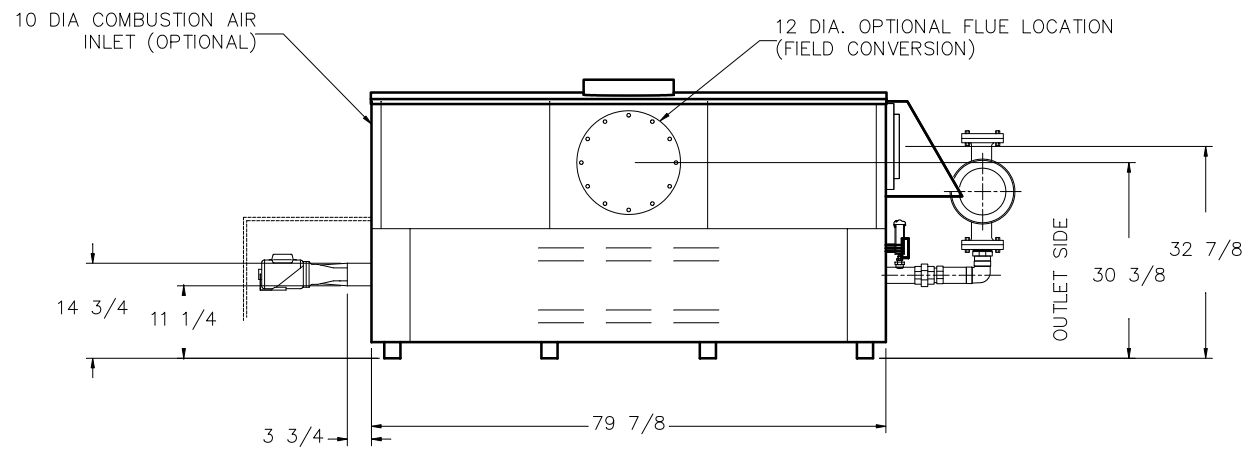
MICHIGAN

**thawPAK**  
Heating Recovery Systems

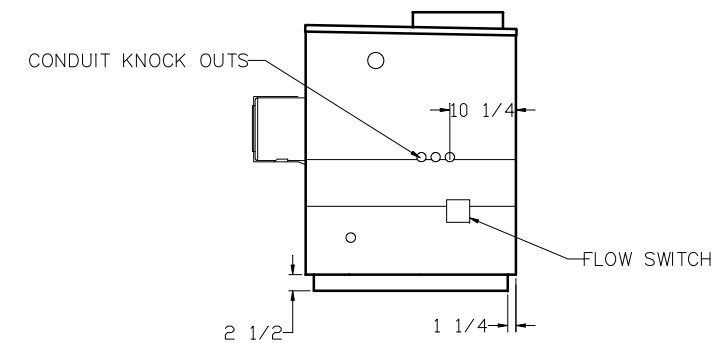
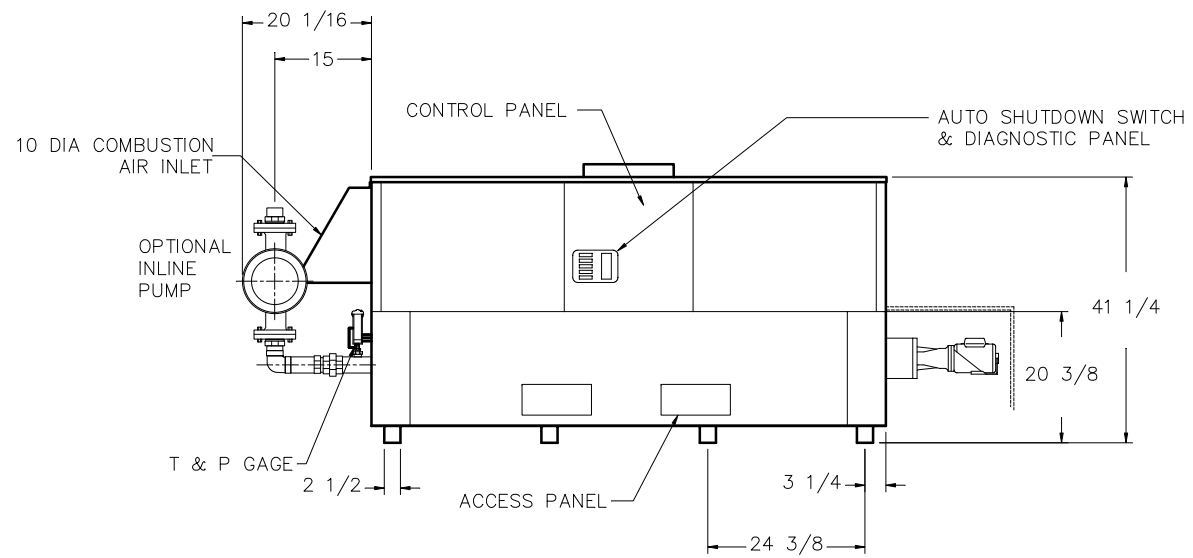
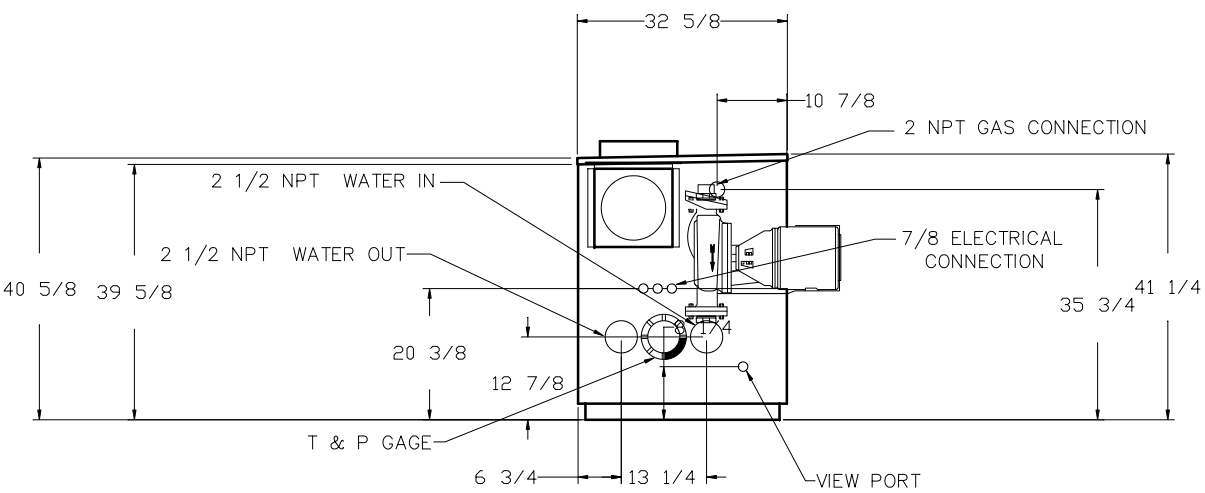
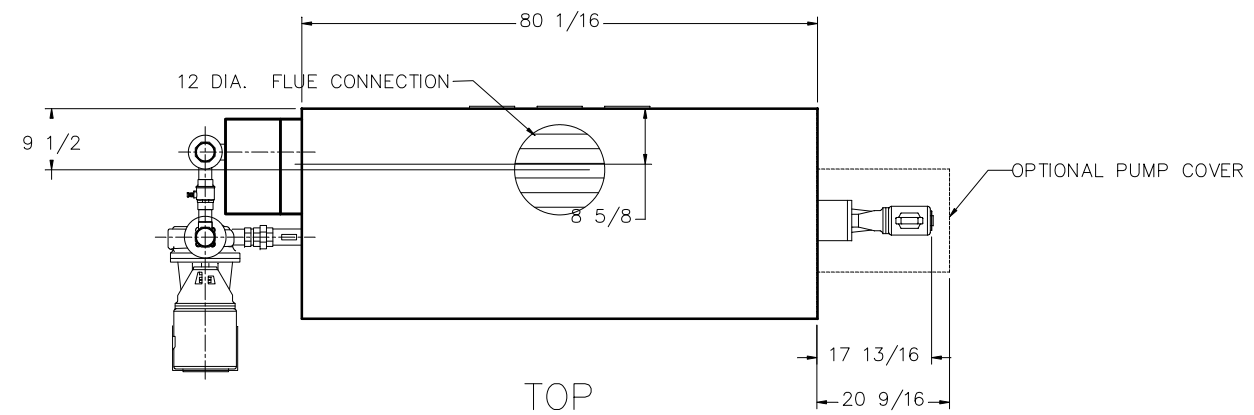
CONSULTANTS:

**A&F**

MICHIGAN



BACK ROTATED 180°



LOCATION	APPROVED	DATE	<b>Raypak</b>	
INDOOR	APPROVED	DATE	OWARD, CALIFORNIA	SCALE
OUTDOOR	D BALDWIN	11-14-07	SPR	FULL
TITLE	THIS DRAWING SUBMITTED UNDER CONFIDENTIAL RELATIONSHIP, AS IT EMBOODS PROPRIETARY INFORMATION, WITH ALL RIGHTS RESERVED BY RAYPAK, INC.			
BOILER / WATER HEATER				
TYPE	SERIES/MODEL	DWG. NO.	REV	
H WH	1532B	90254	3	